

# GPS/Beidou/Glonass External Antenna



AEAGMK148060-S1575



ESD Sensitive



Ø148.0 x 60.0mm  
RoHS/RoHS II Compliant

MSL = NOT APPLICABLE

## FEATURES

- Gain of 4.5dBic
- Multiband
- RHCP polarization
- LNA gain of 38 dB
- Covers GPS (L1/L2/L5), BEIDOU (B1/B2/B3), GLONASS (L1/L2) bands

## APPLICATIONS

- GPS
- Beidou
- GLONASS
- IoT
- Remote technology/monitoring
- M2M

## ELECTRICAL SPECIFICATIONS

Parameters	Min.	Typ.	Max.	Units	Note
Frequency Range		1575.42/1227.6/1176.45 1575.42/1191.79/1268.52 1598.0625-1609.3125/ 1242.9375-1251.6875		MHz	GPS: L1/L2/L5 BEIDOU: B1/B2/ B3 GLONASS: L1/L2
VSWR		1.5:1			
Polarization		RHCP			Right Hand Circular Polarization
Impedance		50		Ω	
Gain		4.5		dBic	Zenith
		-4.0		dBic	20° Elevation
Axial Ratio			2.0		Zenith
			4.0		20° Elevation
Front to Rear Ratio	20			dB	
Operating Temperature	-40		+85	°C	

## LOW NOISE AMPLIFIER (LNA)

Parameters	Min.	Typ.	Max.	Units	Note
DC Voltage		3.3 ~ 9.0		V	
DC current			45	mA	40mA @ 5.0V
Gain		38±3		dB	
Output VSWR		2.0		dB	
Out Band Rejection	35			dB	FH+100MHz FL-100MHz
Noise Figure			1.5	dB	



5101 Hidden Creek Ln Spicewood TX 78669  
Phone: 512-371-6159 | Fax: 512-351-8858  
For terms and conditions of sales, please visit:  
[www.abracon.com](http://www.abracon.com)

REVISED: 03.19.2018

ABRACON IS  
ISO9001-2008  
CERTIFIED

# GPS/Beidou/Glonass External Antenna



AEAGMK148060-S1575



ESD Sensitive



RoHS/RoHS II Compliant

Ø148.0 x 60.0mm

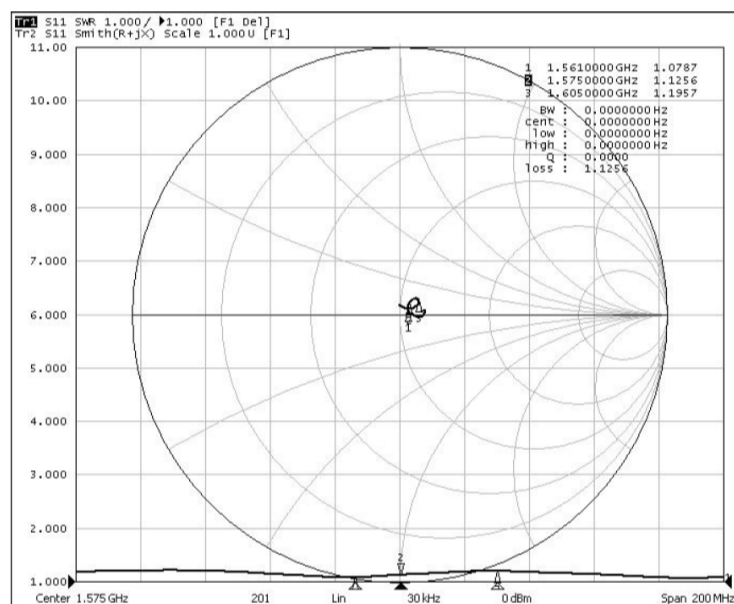
MSL = NOT APPLICABLE

## OVERALL (Module + RF connector)

Parameters	Min.	Typ.	Max.	Units	Note
Output VSWR		2.0			
Gain		40		dB	
Impedance		50		Ω	

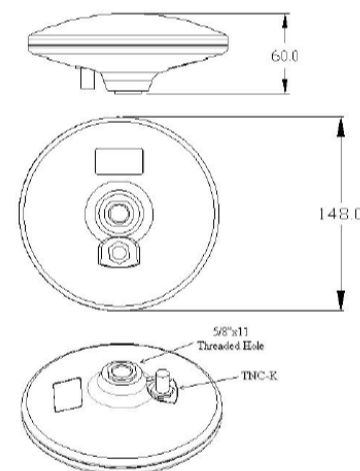
## RETURN - LOSS CHARACTERISTICS

S11 Return Loss



## MECHANICAL DIMENSIONS

Parameters	Description
RF Connector	TNC-K (SMA)
Radome Material	ABS
Mounting Type	Screw
Shielding	Tinplate
Threaded Hole	Copper
PCB	FR4



Unit: mm

## PACKAGING:

Each 630 x 460 x 105 mm size carton includes 6 pcs antenna, each case 1 pcs antenna.



5101 Hidden Creek Ln Spicewood TX 78669  
 Phone: 512-371-6159 | Fax: 512-351-8858  
 For terms and conditions of sales, please visit:  
[www.abracon.com](http://www.abracon.com)

REVISED: 03.19.2018

ABRACON IS  
 ISO9001-2008  
 CERTIFIED