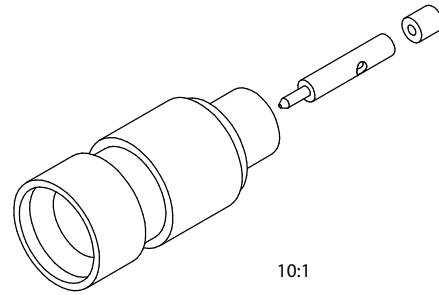
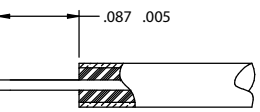
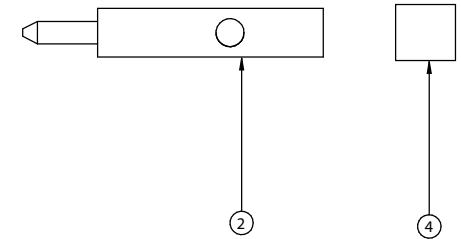
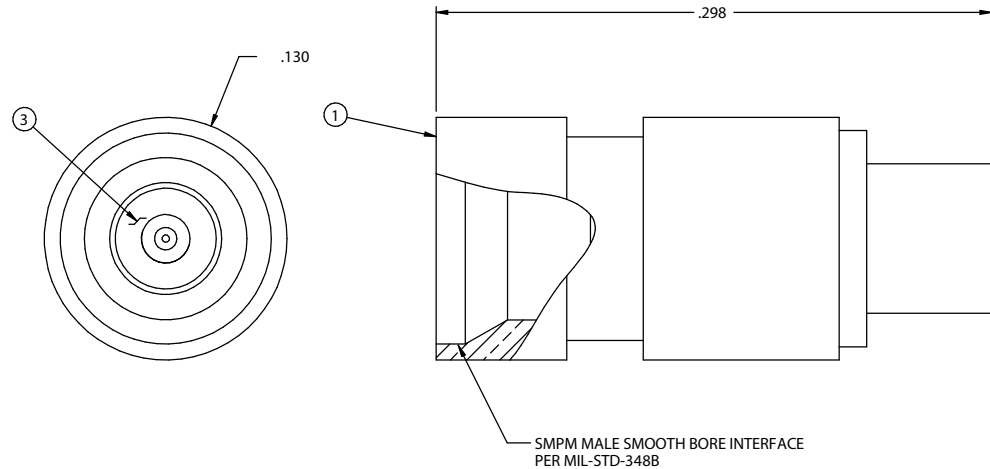


PART NUMBER	ITEM BODY	ITEM CONTACT	ITEM INSULATOR	ITEM CABLE STOP
125-2592-001	BERYLLIUM COPPER GOLD PL. .00005 MIN OVER NICKEL PL.00005 MIN OVER COPPER PL.00005 MIN	BERYLLIUM COPPER GOLD PL. .00005 MIN OVER NICKEL PL.00005 MIN OVER COPPER PL.00005 MIN	TEFLON	TEFLON

DRAWING NO. 125-2592-001				
REVISIONS				
1	RELEASE			
7-28-2013	R S	R S	L M	ECO-13-0205



10:1



CABLE STRIP DIMENSION  
10:1

**SPECIFICATION:**

IMPEDANCE: 50 OHMS  
 FREQUENCY RANGE: 0-40GHz  
 VSWR: 1.15 MAX TO 26.5GHz, 1.30 MAX TO 40GHz  
 INSERTION LOSS: 0.12 F dB MAX (F IN GHz)  
 DIELECTRIC WITHSTANDING VOLTAGE: 325 VRMS MIN AT SEA LEVEL  
 INSULATION RESISTANCE: 5000 MEGOHM MIN  
 CONTACT RESISTANCE:  
   CENTER CONTACT - INITIAL 6 MILLIOHM MAX, AFTER ENVIRONMENTAL NOT APPLICABLE  
   OUTER CONDUCTOR - INITIAL 2 MILLIOHM MAX, AFTER ENVIRONMENTAL NOT APPLICABLE  
 RF LEAKAGE: -80dB TYPICAL AT 3GHz

**MECHANICAL:**

ENGAGEMENT FORCE: 2.5LBS TYPICAL  
 DISENGAGEMENT FORCE: 1.5LBS TYPICAL  
 CONTACT RETENTION: 1.5 LBS MIN AXIAL FORCE  
 DURABILITY: 500 CYCLES MIN

**ENVIRONMENTAL:**

OPERATING TEMPERATURE: -65 TO 165°C  
 THERMAL SHOCK: MIL-STD-202, METHOD 107, CONDITION B  
 MECHANICAL SHOCK: MIL-STD-202, METHOD 213, CONDITION ION I  
 CORROSION: MIL-STD-202, METHOD 101  
 VIBRATION: MIL-STD-202, METHOD 204  
 MOISTURE RESISTANCE: MIL-STD-202, METHOD 106, EXC EPT STEP 7B

THIS DRAWING TO BE INTERPRETED  
PER ANSI Y 14.5M - 1994

CUSTOMER COPY

TOLERANCE UNLESS OTHERWISE SPECIFIED		DRAWN BY R.SHEN	DATE 1-27-2013
DECIMALS	INCH	CHECKED BY R.SHEN	DATE 1-27-2013
X.X	±0.010	APPROVED BY L.MA	DATE 1-28-2013
X.XX	±0.005	U/M	INCH
X.XXX	±0.003	THIS DRAWING WAS PRODUCED BY COMPUTER, DO NOT SCALE DRAWING OR UPDATE MANUALLY.	
ANGLES	±0.5		

**SMPM MALE SMOOTH BORE  
STRAIGHT CABLED .047 SEMI-RIGID**

SHEET 1 OF 1	DRAWING NO. 125-2592-001	SIZE C
-----------------	-----------------------------	-----------