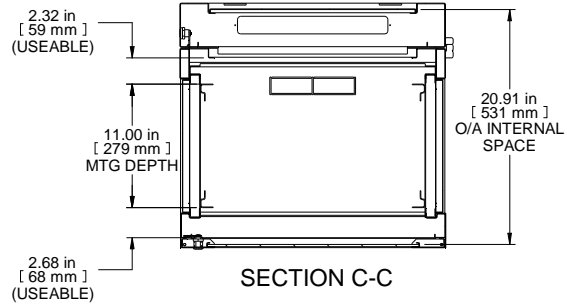
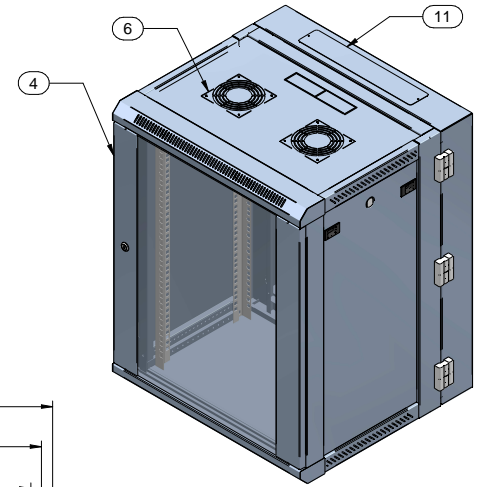


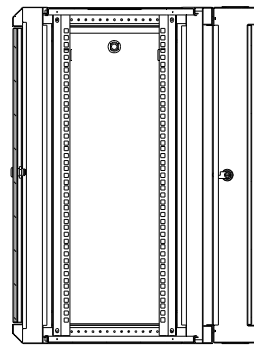
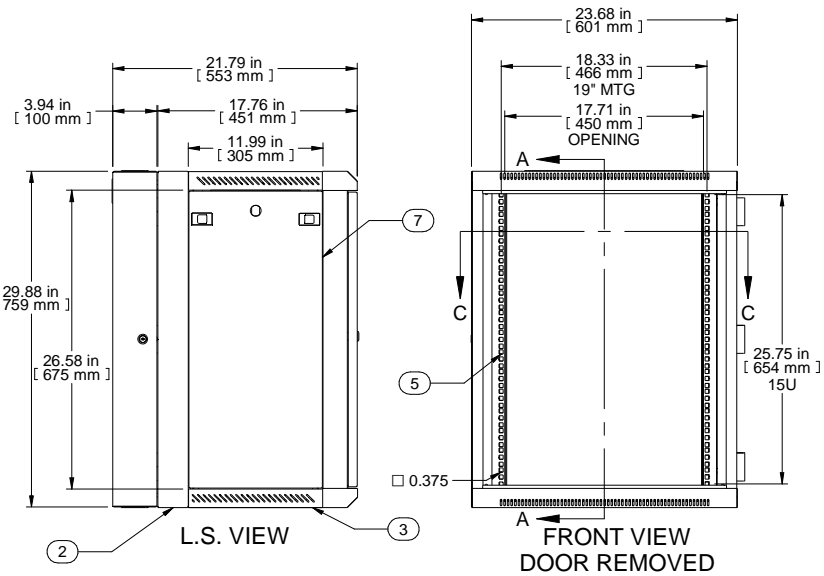
TOP VIEW



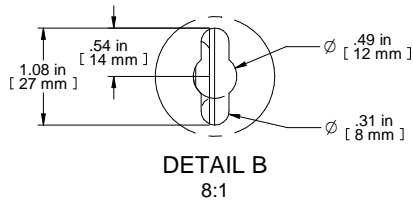
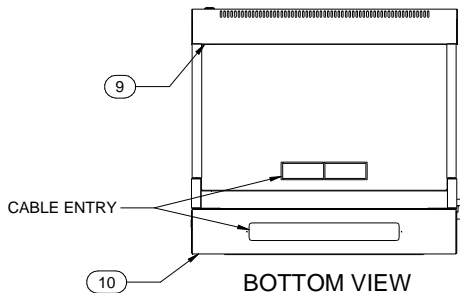
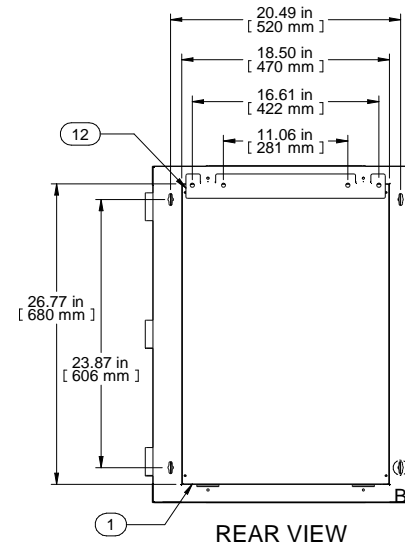
SECTION C-C



ISOMETRIC



SECTION A-A



Item Number	Title	Quantity
1	BACK PANEL	1
2	REAR SWING FRAME	1
3	SIDE SWING FRAME	2
4	FRONT DOOR ASSEMBLY	1
5	15U COMBINATION MOUNTING RAIL	4
6	FAN COVER	2
7	SIDE PANEL	2
8	TOP PANEL	1
9	BOTTOM PANEL	1
10	REAR FRAME	1
11	CABLE ENTRY COVER	2
12	WALL MOUNTING BRACKET	1

PART NUMBERS		
SWCC1902621BK2 PAINTED BLACK TEXTURED		
NOTES		
Shipped knockdown for ease & protection.		

Data subject to change without notice. Isometric drawing not to scale.
Les données sont sujettes à changement sans préavis.

RACK BASICS®

www.hammondmg.com

PART NO. **SWCC1902621**