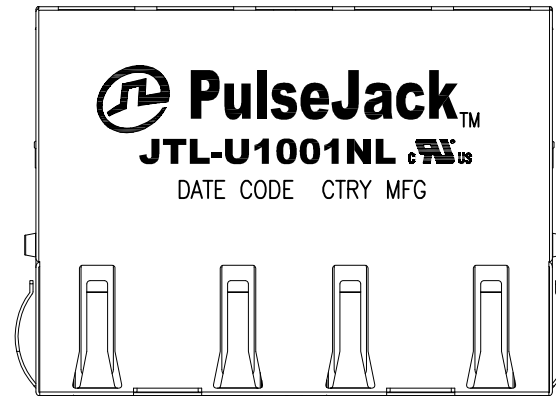
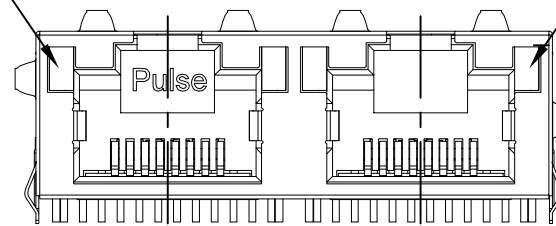


NOTES:

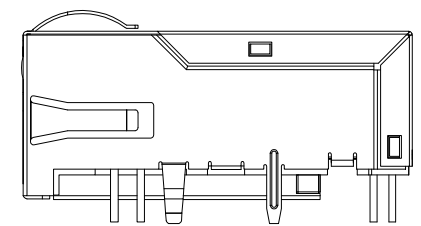
1. ROHS COMPLIANT
2. PLASTIC HOUSING: THERMOPLASTIC MATERIAL WITH FLAMMABILITY RATING UL 94V-0 OR BETTER.
3. CONTACTS PLATING: 50 MICRO-INCH GOLD PLATING.
4. CONTACTS BASE MATERIAL: PHOSPHOR BRONZE
5. UNDER PLATING: 30-50u INCHES NICKEL MINIMUM
6. SOLDER TAIL PLATING : 150-300 uINCHES 100% TIN, MATTE FINISH.
7. METAL SHIELD: NICKEL PLATING ON COPPER ALLOY.
8. JACK CAVITY CONFORMS TO FCC RULES AND REGULATIONS PART SUBPART F.
9. PCB PLATING: ENIG
10. STORAGE TEMPERATURE: -20°C TO +125°C
11. COMPLIANCE TO J-STD:
 - A. J-STD-002: SOLDERABILITY AT 245°C DIP AND LOOK TEST
 - B. J-STD-020: LEVEL 1, NO MOISTURE SENSITIVE
 - C. J-STD-075: W2, 270°C MAXIMUM THROUGH WAVE SOLDER



GREEN LED



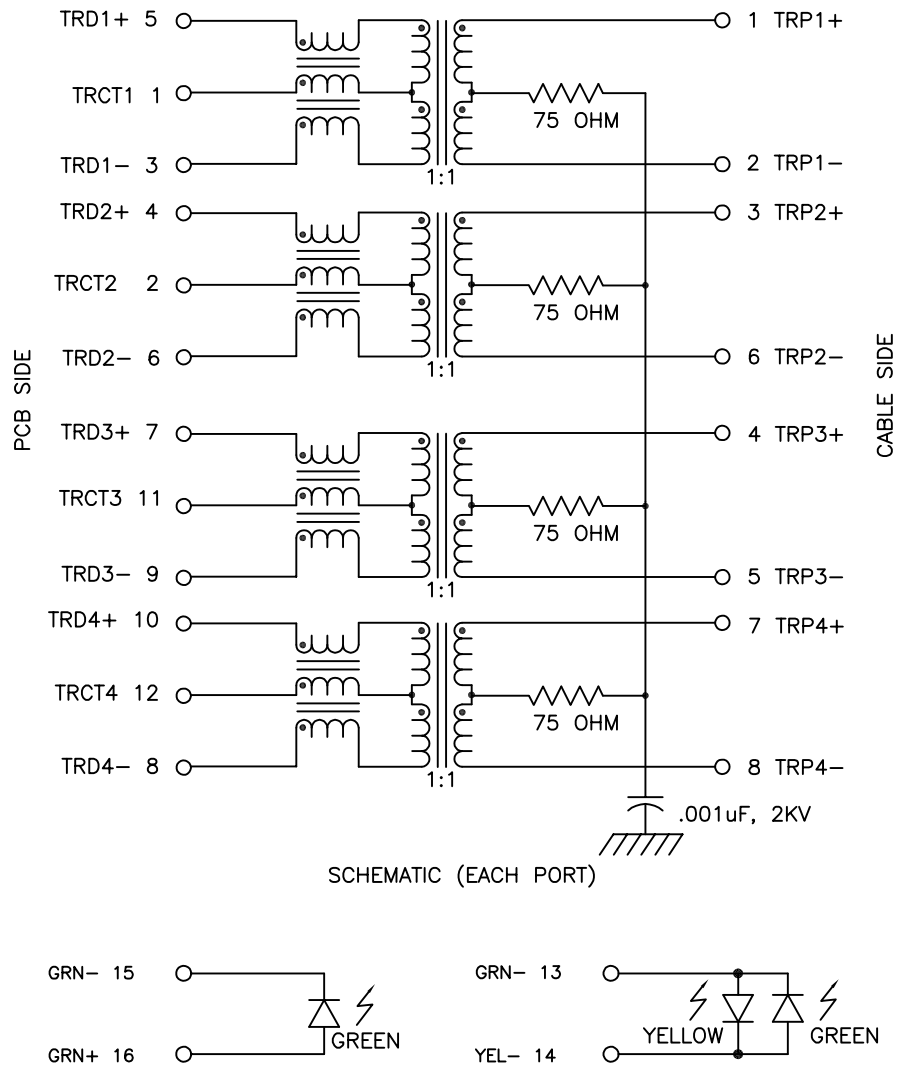
YELLOW/GREEN LED



FINAL OUTLINE

© Copyright, 2017. Pulse Electronics Corp. All rights reserved. Pulse confidential & proprietary. (05/22/17)

| PRODUCT DESCRIPTION | TLA DRAWING | PS DRAWING | SHEET | PART NO. | DATASHEET REV. |
|---------------------------|----------------|---------------|--------|-------------|----------------|
| CONN,RJ45,1X2,10GD,1:1,TY | JTL-U1001NL-10 | PS-2553.001-B | 1 OF 5 | JTL-U1001NL | B |



ELECTRICAL CHARACTERISTICS AT +25°C UNLESS OTHER SPECIFIED
MEETS IEEE 802.3 SPECIFICATION

| PARAMETER | SPECIFICATIONS | | |
|---------------------------------------|---|---------------------------------------|-------------|
| OPERATING TEMP | 0°C TO +70°C | | |
| TURNS RATIO | 1.00 ± 2% | | |
| POLARITY | PER SCHEMATIC | | |
| INSERTION LOSS (DATA CHANNELS) | 100 KHz | 1-400 MHz | |
| | -3.0 dB MAX | -2.0 dB MAX (-1.4 dB TYP) | |
| RETURN LOSS (Z OUT = 100 OHM ± 1%) | 1-100 MHz | 100 MHz-500 MHz | |
| | -22 dB MIN | -22 + 18.27*LOG ₁₀ (f/100) | |
| INDUCTANCE (OCL) | 180 uH MIN @ 100 kHz, 100 mV | | |
| CROSSTALK, ADJACENT CHANNELS | 1-100 MHz | 100-500 MHz | |
| | -28 dB MIN | -19 dB MIN | |
| COMMON MODE REJECTION RATIO | 1-100 MHz | 100-300 MHz | 300-500 MHz |
| | -35 dB MIN | -30 dB MIN | -25 dB MIN |
| | COMMON TO DIFFERENTIAL MODE REJECTION (CDMR) | | |
| | 1-250 MHz | 250-500 MHz | |
| | -30 dB MIN | -22 dB MIN | |
| INPUT - OUTPUT ISOLATION | 2250 VDC MIN @ 60 SECONDS | | |

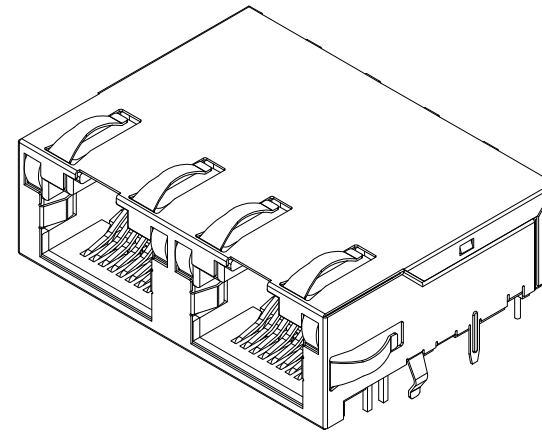
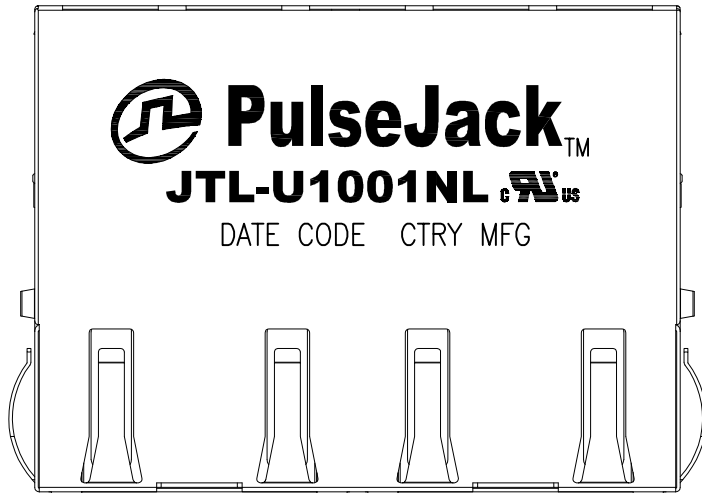
NOTE: f IS FREQUENCY IN MHz.

| | | | |
|----------------------------|------------|------------|------------|
| EMMITTED COLOR | GREEN | YELLOW | GREEN |
| WAVELENGTH (nm) | 565 | 588 | 565 |
| POWER DISSIPATION (Pd) | 105 mW MAX | 100 mW MAX | 105 mW MAX |
| DC FORWARD CURRENT | 25 mA MAX | 30 mA MAX | 25 mA MAX |
| FORWARD VOLTAGE (VF) @20mA | 2.2 V TYP | 2.1 V TYP | 2.2 V TYP |

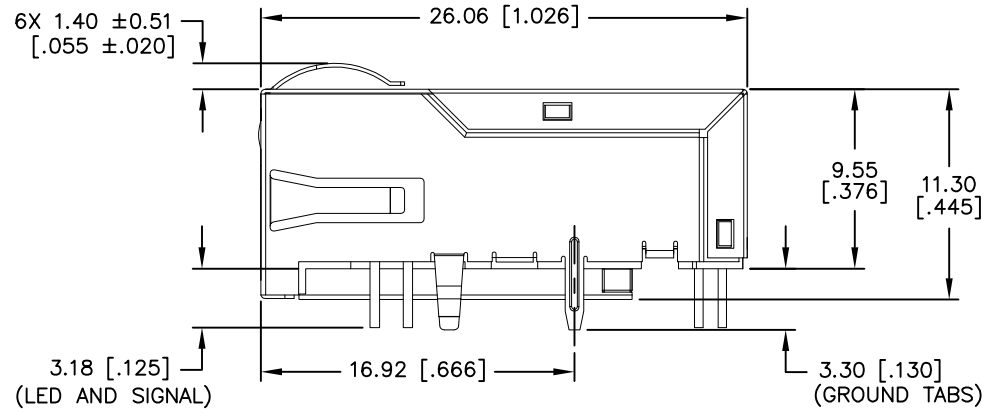
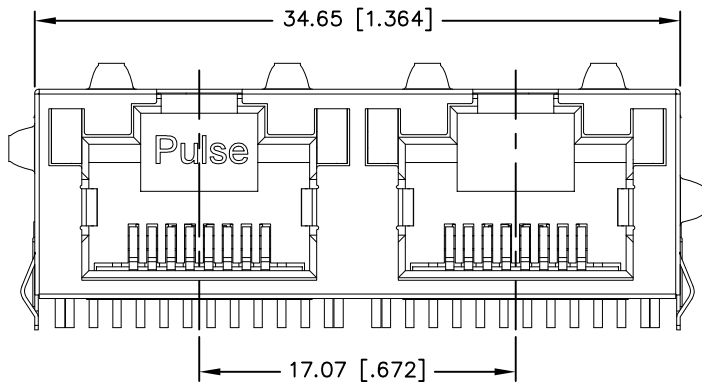
NOTE: PER VENDOR'S SPECIFICATION

© Copyright, 2017. Pulse Electronics Corp. All rights reserved. Pulse confidential & proprietary. (05/22/17)

| PRODUCT DESCRIPTION | TLA DRAWING | PS DRAWING | SHEET | PART NO. | DATASHEET REV. |
|---------------------------|----------------|---------------|--------|-------------|----------------|
| CONN,RJ45,1X2,10GD,1:1,TY | JTL-U1001NL-10 | PS-2553.001-B | 2 OF 5 | JTL-U1001NL | B |



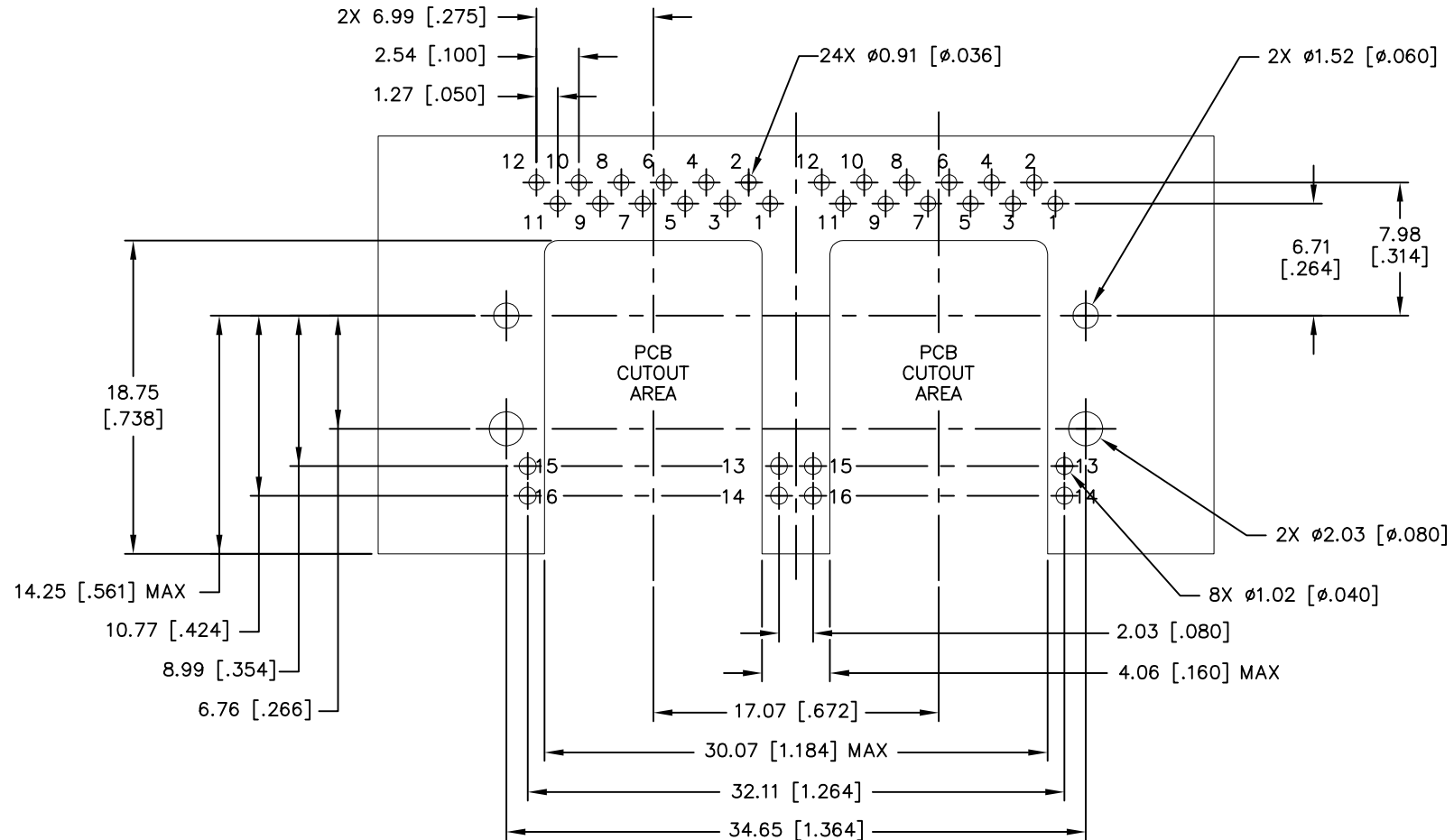
ISOMETRIC VIEW
(FOR REFERENCE ONLY)



ALL DIMENSION ARE SHOWN IN METRIC.
DIMENSIONS SHOWN IN BRACKETS ARE
INCHES. UNLESS OTHERWISE SPECIFIED,
THE FOLLOWING TOLERANCES APPLY:
X.XX [.XXX] = ±0.25 [±.010]

© Copyright, 2017. Pulse Electronics Corp. All rights reserved. Pulse confidential & proprietary. (05/22/17)

| PRODUCT DESCRIPTION | TLA DRAWING | PS DRAWING | SHEET | PART NO. | DATASHEET REV. |
|---------------------------|----------------|---------------|--------|-------------|----------------|
| CONN,RJ45,1X2,10GD,1:1,TY | JTL-U1001NL-10 | PS-2553.001-B | 3 OF 5 | JTL-U1001NL | B |

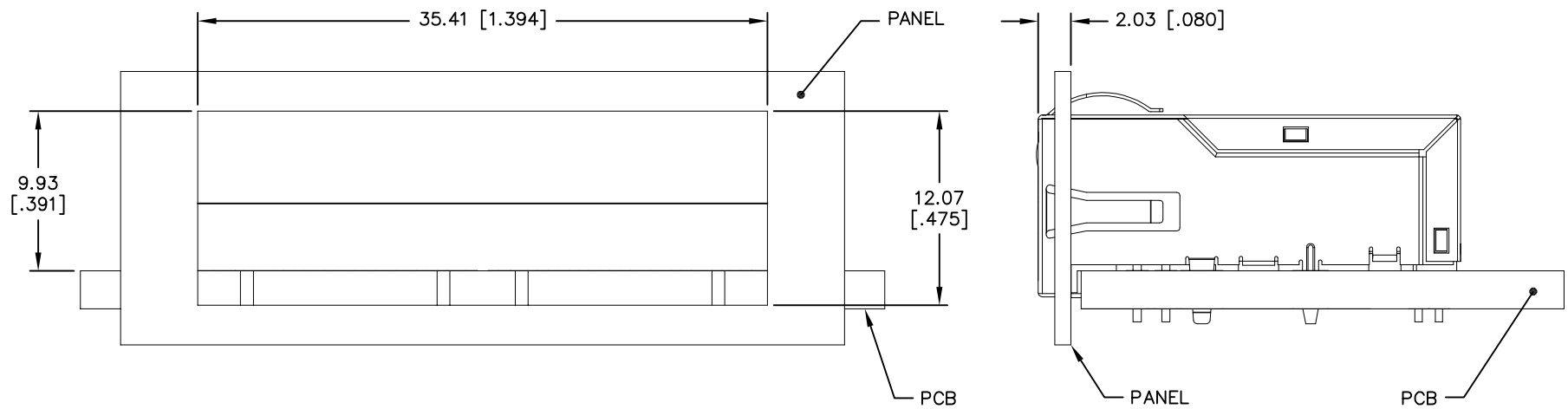


ALL DIMENSION ARE SHOWN IN METRIC.
DIMENSIONS SHOWN IN BRACKETS ARE
INCHES. UNLESS OTHERWISE SPECIFIED,
THE FOLLOWING TOLERANCES APPLY:
X.XX [.XXX] = ± 0.08 [± 0.003]

SUGGESTED FOOTPRINT (COMPONENT SIDE SHOWN)

© Copyright, 2017. Pulse Electronics Corp. All rights reserved. Pulse confidential & proprietary. (05/22/17)

| PRODUCT DESCRIPTION | TLA DRAWING | PS DRAWING | SHEET | PART NO. | DATASHEET REV. |
|---------------------------|----------------|---------------|--------|-------------|----------------|
| CONN,RJ45,1X2,10GD,1:1,TY | JTL-U1001NL-10 | PS-2553.001-B | 4 OF 5 | JTL-U1001NL | B |



ALL DIMENSION ARE SHOWN IN METRIC.
DIMENSIONS SHOWN IN BRACKETS ARE
INCHES. UNLESS OTHERWISE SPECIFIED,
THE FOLLOWING TOLERANCES APPLY:
X.XX [.XXX] = ± 0.10 [± 0.004]

© Copyright, 2017. Pulse Electronics Corp. All rights reserved. Pulse confidential & proprietary. (05/22/17)

| PRODUCT DESCRIPTION | TLA DRAWING | PS DRAWING | SHEET | PART NO. | DATASHEET REV. |
|---------------------------|----------------|---------------|--------|-------------|----------------|
| CONN,RJ45,1X2,10GD,1:1,TY | JTL-U1001NL-10 | PS-2553.001-B | 5 OF 5 | JTL-U1001NL | B |