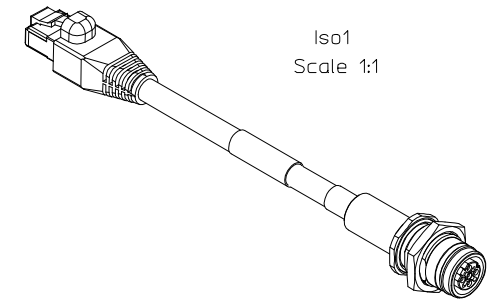
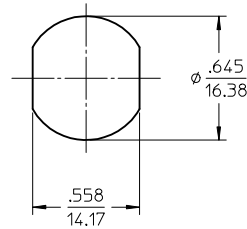
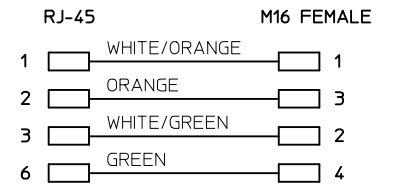
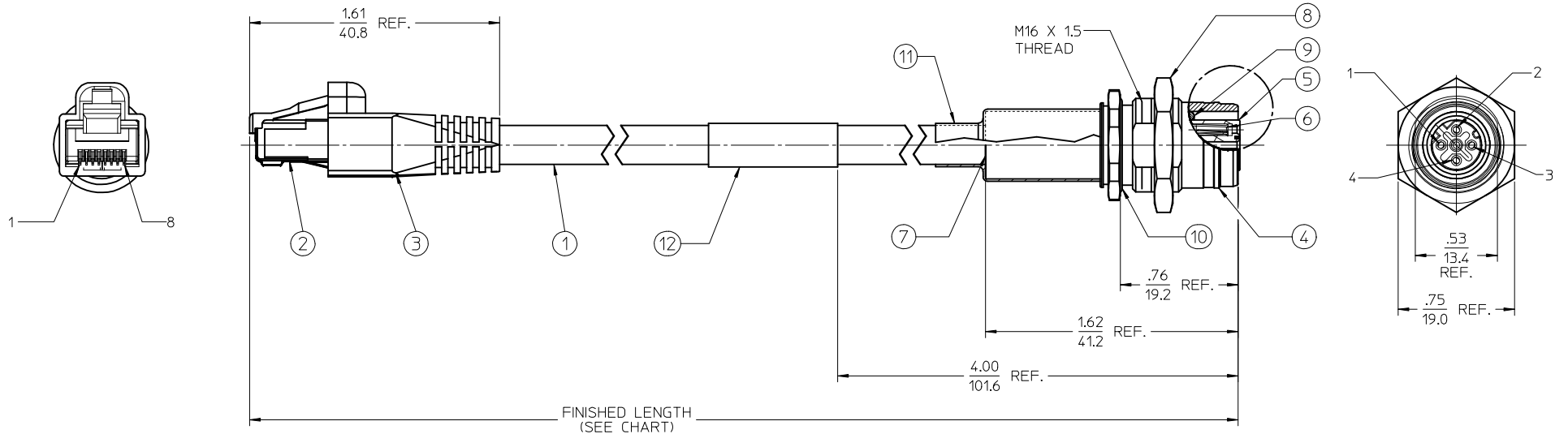


| MATERIAL NO. | ENGINEERING NO. | FINISHED LENGTH |
|--------------|-----------------|-------------------------------|
| 1201090006 | ERWPAU7005M010 | 3' 3" +2.19/-0 (1M +55.6mm-0) |
| 1201090007 | ERWPAU7005M020 | 6' 7" +3.50/-0 (2M +88.9mm-0) |

PANEL CUTOUT



Iso1
Scale 1:1



WIRE DIAGRAM

NOTES:

- MATERIAL: SEE TABLE
- FINISHES: SEE TABLE
- ELECTRICAL SPECIFICATIONS
VOLTAGE RATING: 150V AC/DC
CURRENT RATING: 1.5 AMPS
- PROTECTION: IP67
- ASSEMBLY IS RoHS COMPLIANT BY EXEMPTION

| | | | | |
|------|------|------------------------------|-------------------|-------------------|
| 12 | 1 | WRAP LABEL | VINYL | BLACK/YELLOW |
| 11 | 1 | SHRINK TUBE-CONDUCTIVE | POLYOLEFIN | BLACK OR SILVER |
| 10 | 1 | PANEL MOUNT O-RING | NITRIL | BLACK |
| 9 | 1 | MATING O-RING | VITON | RED |
| 8 | 1 | PANEL NUT | BRASS | NICKEL PLATED |
| 7 | 1 | CABLE SLEEVE | BRASS | NICKEL PLATED |
| 6 | 4 | CONTACT SOCKET | Cu ALLOY | GOLD PLATED |
| 5 | 1 | INSERT, FEMALE, 4P | PUR | BLACK |
| 4 | 1 | RECEPTACLE SHELL,U-LOCK, M16 | BRASS | NICKEL PLATED |
| 3 | 1 | RJ-45 BOOT | POLYOLEFIN | BLACK |
| 2 | 1 | RJ-45 PLUG | POLYCARB/Cu ALLOY | CLEAR/GOLD PLATED |
| 1 | A/R | RJ-45 CABLE, 26/4, SHLD | TPE JACKET | TEAL |
| ITEM | QTY. | DESCRIPTION | MATERIAL | FINISH |

| | |
|---|-----------------|
| NEW SALES DRAWING EC NO: IPG2013-1402 DRAWN BY: DRWINRSTONE 2013/03/11 CHKD BY: CHKDK JOZWIK 2013/03/15 APPR: JFMURPHY 2013/04/25 | QUALITY SYMBOLS |
| | ▽=0 |
| | ▽=0 |
| | REV A |

| | | |
|--|----------------|-------|
| GENERAL TOLERANCES (UNLESS SPECIFIED) | mm | INCH |
| | 4 PLACES ± --- | ± --- |
| | 3 PLACES ± --- | ± --- |
| | 2 PLACES ± --- | ± .01 |
| 1 PLACE ± 0.3 | ± --- | |
| 0 PLACE ± --- | ± --- | |
| ANGULAR ± 2 ° | | |
| DRAFT WHERE APPLICABLE MUST REMAIN WITHIN DIMENSIONS | | |

| | | | | |
|-----------------|---|----------------------------|--------------|------------------------|
| DIMENSION STYLE | | SCALE | DESIGN UNITS | THIRD ANGLE PROJECTION |
| IN/MM | | 2:1 | INCH | |
| DRAWN BY | DATE | TITLE | | |
| RSTONE | 2013/03/11 | SHLD ETHERNET CABLE ASSY | | |
| CHECKED BY | DATE | FEM D-CODE U-LOCK RECEPT | | |
| K JOZWIK | 2013/03/15 | TO RJ-45 PLUG, 26 AWG | | |
| APPROVED BY | DATE | molex | | |
| JFMURPHY | 2013/04/25 | DOCUMENT NO. SD-120109-014 | | |
| MATERIAL NO. | | SEE CHART | | SHEET NO. 1 OF 1 |
| SIZE | THIS DRAWING CONTAINS INFORMATION THAT IS PROPRIETARY TO MOLEX INCORPORATED AND SHOULD NOT BE USED WITHOUT WRITTEN PERMISSION | | | |