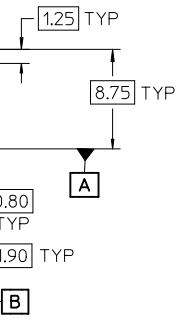
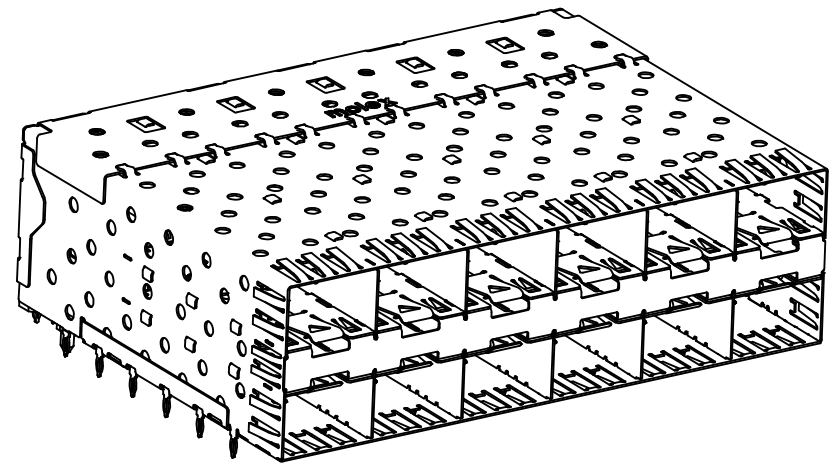
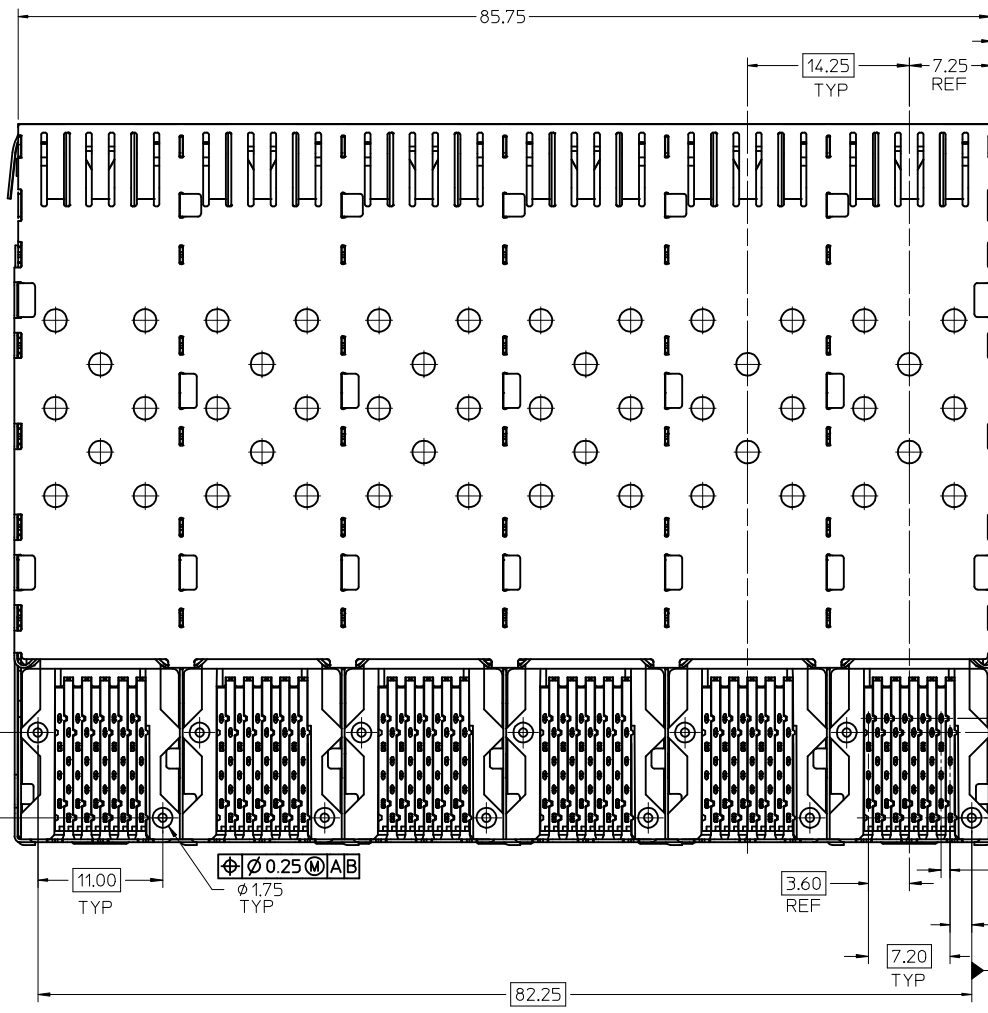


NOTES:

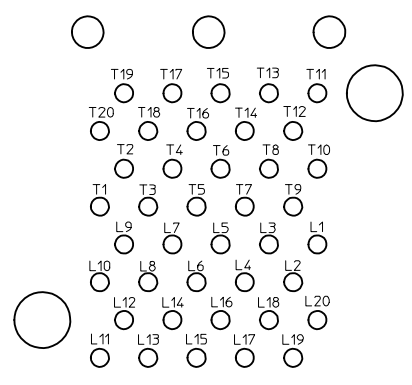
- MATERIAL:
  - CAGE: NICKEL SILVER, THICKNESS: 0.25mm
  - CONNECTOR HOUSING: GLASS FILLED THERMOPLASTIC, UL: 94 V-0, COLOR: BLACK
  - OVERMOLD TERMINAL HOUSING: GLASS FILLED THERMOPLASTIC, UL: 94 V-0, COLOR: BLACK
  - TERMINALS: BRASS
- FINISH
  - TERMINALS: CONTACT AREA: 0.76 MICROMETERS MINIMUM HARD GOLD OVER 1.27 MICROMETERS MINIMUM NICKEL.
  - COMPLIANT TAIL - TIN/LEAD OPTION: 0.76 - 1.52 MICROMETERS 90/10 TIN/LEAD OVER 0.76 - 1.52 MICROMETERS NICKEL
  - COMPLIANT TAIL - TIN OPTION: 0.76 - 1.52 MICROMETERS TIN OVER 0.76 - 1.52 MICROMETERS NICKEL
- REFER TO PS-75310-001 PRODUCT SPEC FOR ALL ELECTRICAL, MECHANICAL AND ENVIRONMENTAL SPECIFICATIONS.
- REFER TO PK-75451-001 FOR ALL PACKAGING SPECIFICATIONS.
- THE CURVED TAILS THAT GO INTO THE HOLES LOCATED BY THESE DIMENSIONS ARE BEING ELIMINATED. TO ACCOMMODATE THIS CONVERSION, IT IS RECOMMENDED THAT BOARDS DESIGNED TO THIS PRINT REVISION INCLUDE THESE HOLES.
- PART COMPLIES WITH COSMETIC SPECIFICATION PS-45499-002. SEE SHEET 4 SECTION Z-Z FOR SURFACE CLASSIFICATIONS. UNDERSIDE OF CAGE COMPLIES WITH CLASS "C".

754775001	TIN
754770001	TIN / LEAD
MATERIAL NO.	TERMINAL TAIL PLATING

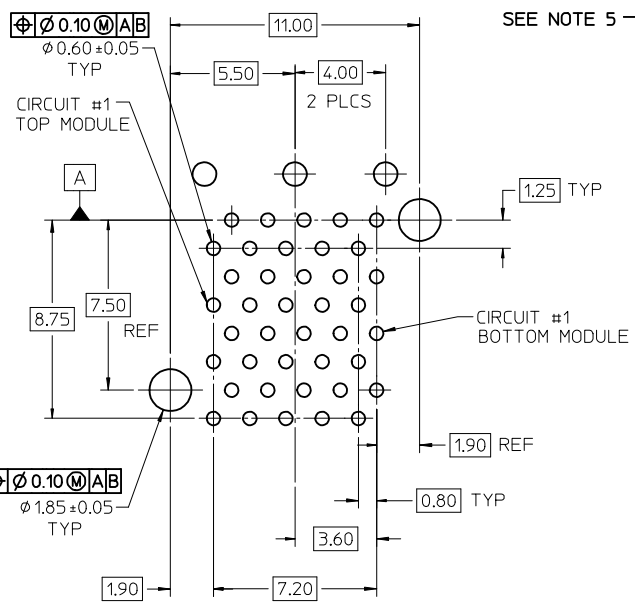
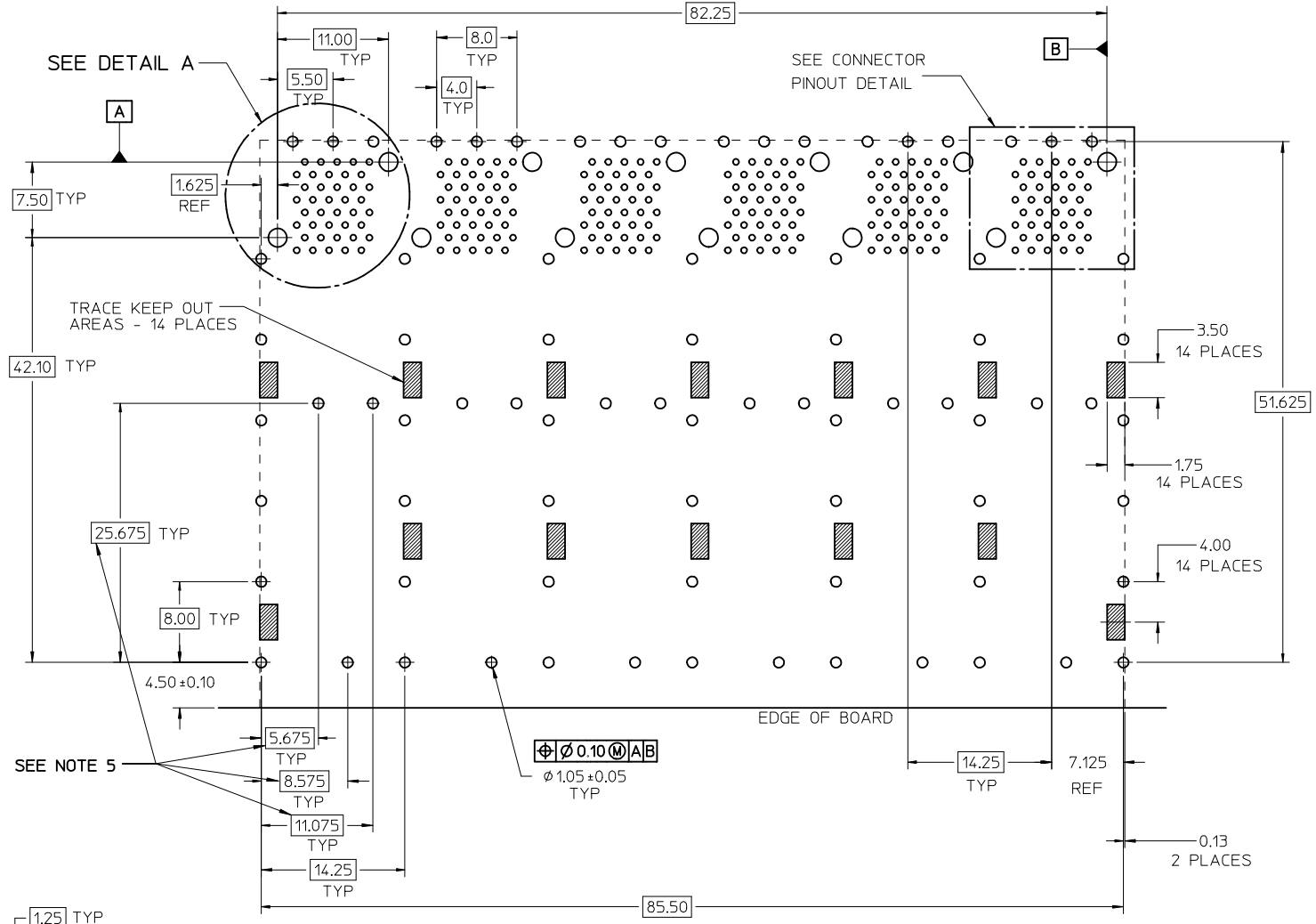
<b>ADD KEEP OUT ZONES</b> EC NO: UCP2010-0369 DRWN:MSIBARRA 2009/07/09 CHKD: 2009/08/26 APPR:SMILLER 2009/08/27 REV	QUALITY SYMBOLS ▽=0 ▽=0	GENERAL TOLERANCES (UNLESS SPECIFIED)		DIMENSION STYLE <b>MM ONLY</b>		SCALE <b>3:1</b>	DESIGN UNITS <b>METRIC</b>	THIRD ANGLE PROJECTION																	
		<table border="1"> <tr> <th></th> <th>mm</th> <th>INCH</th> </tr> <tr> <td>4 PLACES</td> <td>± ---</td> <td>± ---</td> </tr> <tr> <td>3 PLACES</td> <td>± ---</td> <td>± ---</td> </tr> <tr> <td>2 PLACES</td> <td>± 0.13</td> <td>± ---</td> </tr> <tr> <td>1 PLACE</td> <td>± 0.25</td> <td>± ---</td> </tr> </table>			mm	INCH	4 PLACES	± ---	± ---	3 PLACES	± ---	± ---	2 PLACES	± 0.13	± ---	1 PLACE	± 0.25	± ---	DRAWN BY DATE JLONG 02-04-2004		TITLE <b>STACKED SFP 2X6 MEDIUM HEIGHT ASS'Y, PRESS-FIT TAIL WITHOUT LIGHT PIPES</b>		<b>MOLEX INCORPORATED</b>		SHEET NO. <b>1 OF 4</b>
			mm	INCH																					
		4 PLACES	± ---	± ---																					
3 PLACES	± ---	± ---																							
2 PLACES	± 0.13	± ---																							
1 PLACE	± 0.25	± ---																							
ANGULAR ± 5 °		CHECKED BY DATE KREGNIER 02-27-2004		APPROVED BY DATE KREGNIER 04-28-2004		DOCUMENT NO. <b>SD-75477-001</b>		THIS DRAWING CONTAINS INFORMATION THAT IS PROPRIETARY TO MOLEX INCORPORATED AND SHOULD NOT BE USED WITHOUT WRITTEN PERMISSION																	
DRAFT WHERE APPLICABLE MUST REMAIN WITHIN DIMENSIONS				MATERIAL NO. <b>SEE TABLE</b>																					



<b>SEE SHEET 1</b> EC NO: UCP2010-0369 DRWN:MSIBARRA 2009/07/09 CHKD: 2009/08/26 APPR:SMILLER 2009/08/27	QUALITY SYMBOLS ▽=0 ▽=0	GENERAL TOLERANCES (UNLESS SPECIFIED)		DIMENSION STYLE <b>MM ONLY</b>	SCALE <b>3:1</b>	DESIGN UNITS <b>METRIC</b>	THIRD ANGLE PROJECTION	
		4 PLACES ± --- ± ---	3 PLACES ± --- ± ---	DRAWN BY JLONG	DATE 02-04-2004	TITLE <b>STACKED SFP 2X6 MEDIUM HEIGHT ASS'Y, PRESS-FIT TAIL WITHOUT LIGHT PIPES</b>		
		2 PLACES ± 0.13 ± ---	1 PLACE ± 0.25 ± ---	CHECKED BY KREGNIER	DATE 02-27-2004	MOLEX INCORPORATED		
		ANGULAR ± 5 °		APPROVED BY KREGNIER	DATE 04-28-2004	MATERIAL NO.	DOCUMENT NO. <b>SD-75477-001</b>	SHEET NO. <b>2 OF 4</b>
DRAFT WHERE APPLICABLE MUST REMAIN WITHIN DIMENSIONS		SEE TABLE		THIS DRAWING CONTAINS INFORMATION THAT IS PROPRIETARY TO MOLEX INCORPORATED AND SHOULD NOT BE USED WITHOUT WRITTEN PERMISSION				



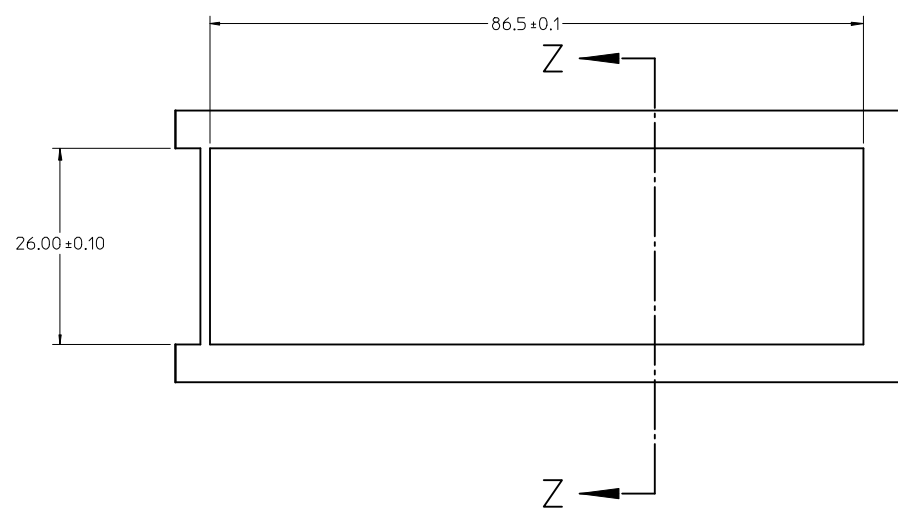
CONNECTOR PINOUT DETAIL  
COMPONENT SIDE OF BOARD



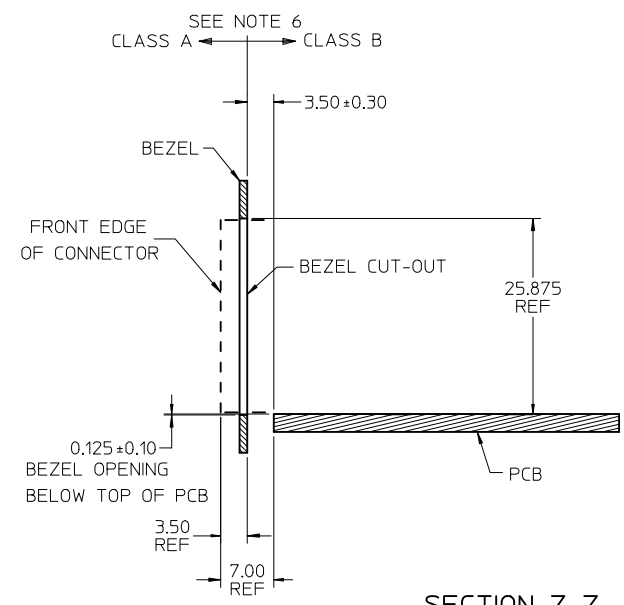
DETAIL A  
SCALE 6:1

RECOMMENDED PCB LAYOUT - COMPONENT SIDE  
RECOMMENDED PCB THICKNESS - 2.36 MM (.093 INCH)  
THE ENTIRE AREA OF THE CONNECTOR FOOTPRINT  
TO BE CONSIDERED THE KEEP OUT AREA FOR COMPONENTS  
THIS AREA IS INDICATED BY THE DASHED LINE

<b>ADD KEEP OUT ZONES</b> EC NO: UCP2010-0369 DRWN:MSIBARRA 2009/07/09 CHKD: 2009/08/26 APPR:SMILLER 2009/08/27	QUALITY SYMBOLS ▽=0 ▽=0	GENERAL TOLERANCES (UNLESS SPECIFIED)		DIMENSION STYLE <b>MM ONLY</b>		SCALE <b>3:1</b>	DESIGN UNITS <b>METRIC</b>	THIRD ANGLE PROJECTION
		4 PLACES ± --- ± ---	3 PLACES ± --- ± ---	mm	INCH	DRAWN BY JLONG	DATE 02-04-2004	<b>STACKED SFP 2X6 MEDIUM HEIGHT ASS'Y, PRESS-FIT TAIL WITHOUT LIGHT PIPES</b>  <b>MOLEX INCORPORATED</b>  SD-75477-001
		2 PLACES ± 0.13 ± ---	1 PLACE ± 0.25 ± ---	DRAFT WHERE APPLICABLE MUST REMAIN WITHIN DIMENSIONS		CHECKED BY KREGNIER	DATE 02-27-2004	
		ANGULAR ± 5 °		SEE TABLE		APPROVED BY KREGNIER	DATE 04-28-2004	
MATERIAL NO.		SIZE		DOCUMENT NO.		SHEET NO. 3 OF 4		

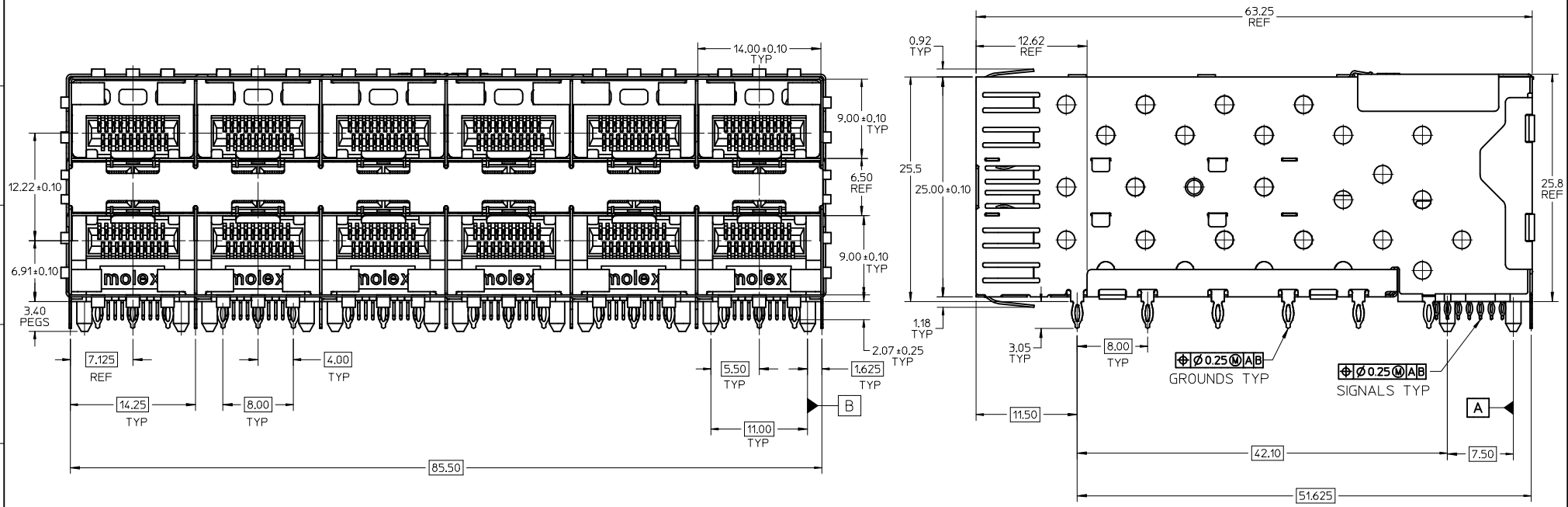


BEZEL CUT-OUT OPENING DETAIL  
BEZEL THICKNESS 0.8 - 2.6



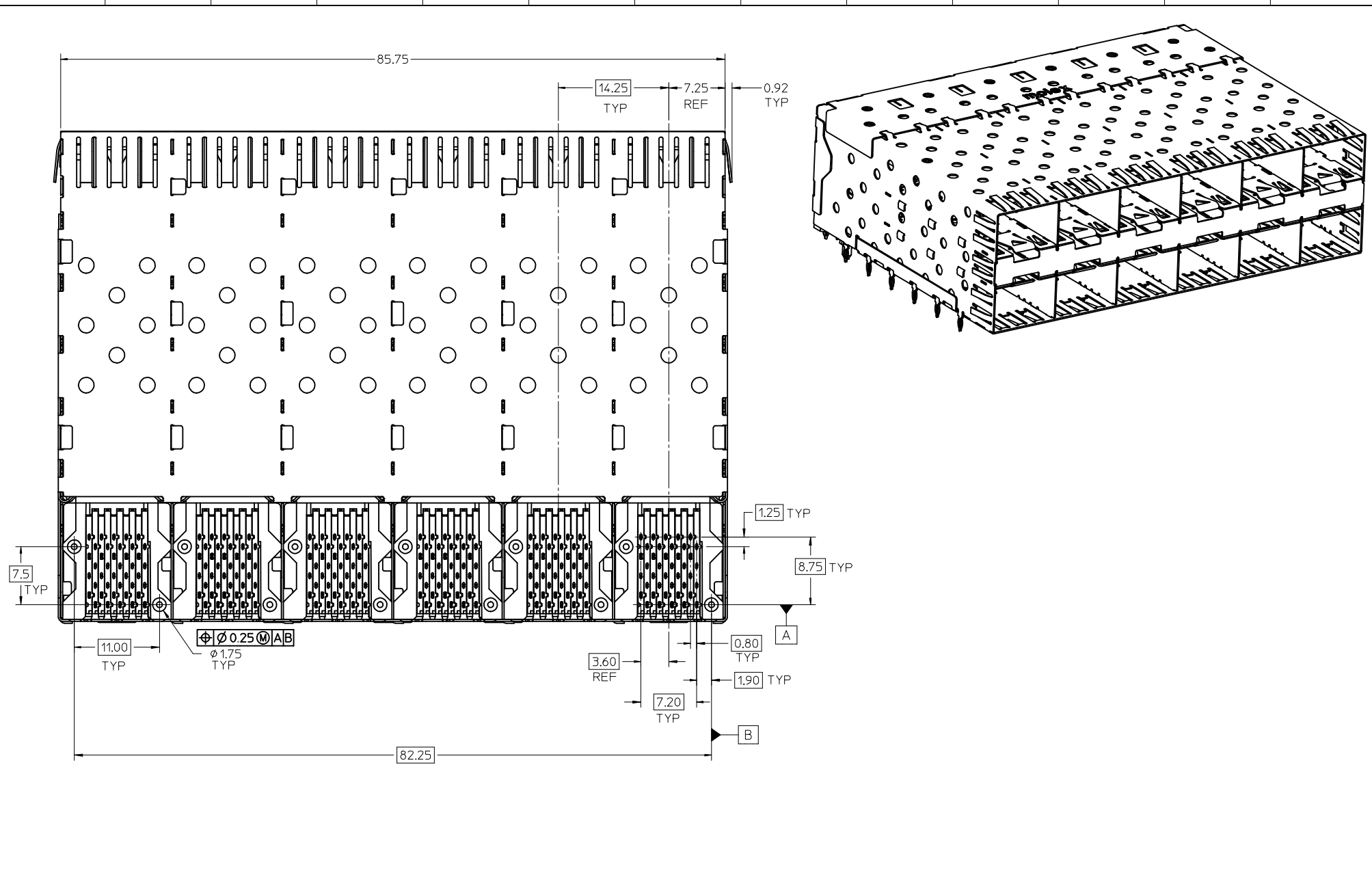
SECTION Z-Z

<b>SEE SHEET 1</b> EC NO: UCP2010-0369 DRWN:MSI BARRA 2009/07/09 CHKD: 2009/08/26 APPR:SMILLER 2009/08/27	QUALITY SYMBOLS ▽=0 ▽=0	GENERAL TOLERANCES (UNLESS SPECIFIED) <table border="1"> <tr> <td></td> <td>mm</td> <td>INCH</td> </tr> <tr> <td>4 PLACES</td> <td>± ---</td> <td>± ---</td> </tr> <tr> <td>3 PLACES</td> <td>± ---</td> <td>± ---</td> </tr> <tr> <td>2 PLACES</td> <td>± 0.13</td> <td>± ---</td> </tr> <tr> <td>1 PLACE</td> <td>± 0.25</td> <td>± ---</td> </tr> </table>		mm	INCH	4 PLACES	± ---	± ---	3 PLACES	± ---	± ---	2 PLACES	± 0.13	± ---	1 PLACE	± 0.25	± ---	DIMENSION STYLE <b>MM ONLY</b> DRAWN BY DATE JLONG 02-04-2004 CHECKED BY DATE KREGNIER 02-27-2004 APPROVED BY DATE KREGNIER 04-28-2004	SCALE <b>2:1</b> DESIGN UNITS <b>METRIC</b>	THIRD ANGLE PROJECTION
		mm	INCH																	
	4 PLACES	± ---	± ---																	
	3 PLACES	± ---	± ---																	
2 PLACES	± 0.13	± ---																		
1 PLACE	± 0.25	± ---																		
MATERIAL NO. <b>SEE TABLE</b>	TITLE <b>STACKED SFP 2X6 MEDIUM HEIGHT ASS'Y, PRESS-FIT TAIL WITHOUT LIGHT PIPES</b>	MOLEX INCORPORATED	SHEET NO. <b>4 OF 4</b>																	
DRAFT WHERE APPLICABLE MUST REMAIN WITHIN DIMENSIONS	SIZE <b>C</b>	THIS DRAWING CONTAINS INFORMATION THAT IS PROPRIETARY TO MOLEX INCORPORATED AND SHOULD NOT BE USED WITHOUT WRITTEN PERMISSION	DOCUMENT NO. <b>SD-75477-001</b>																	

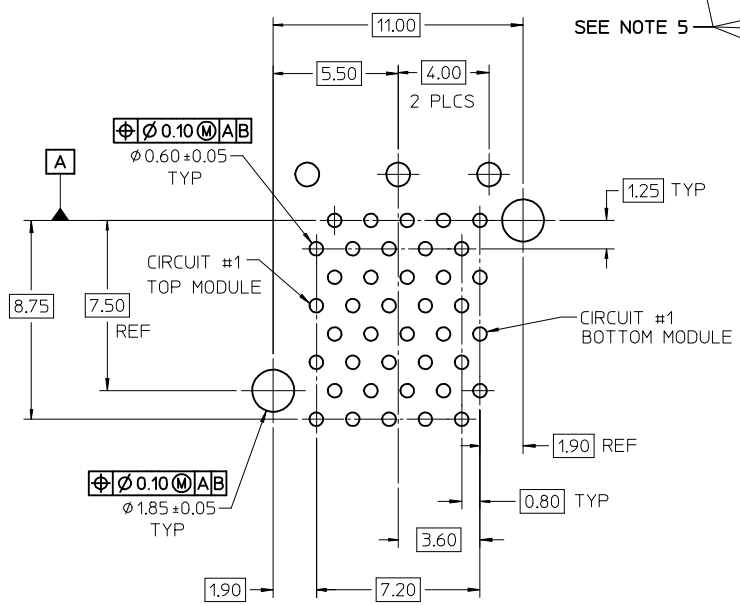
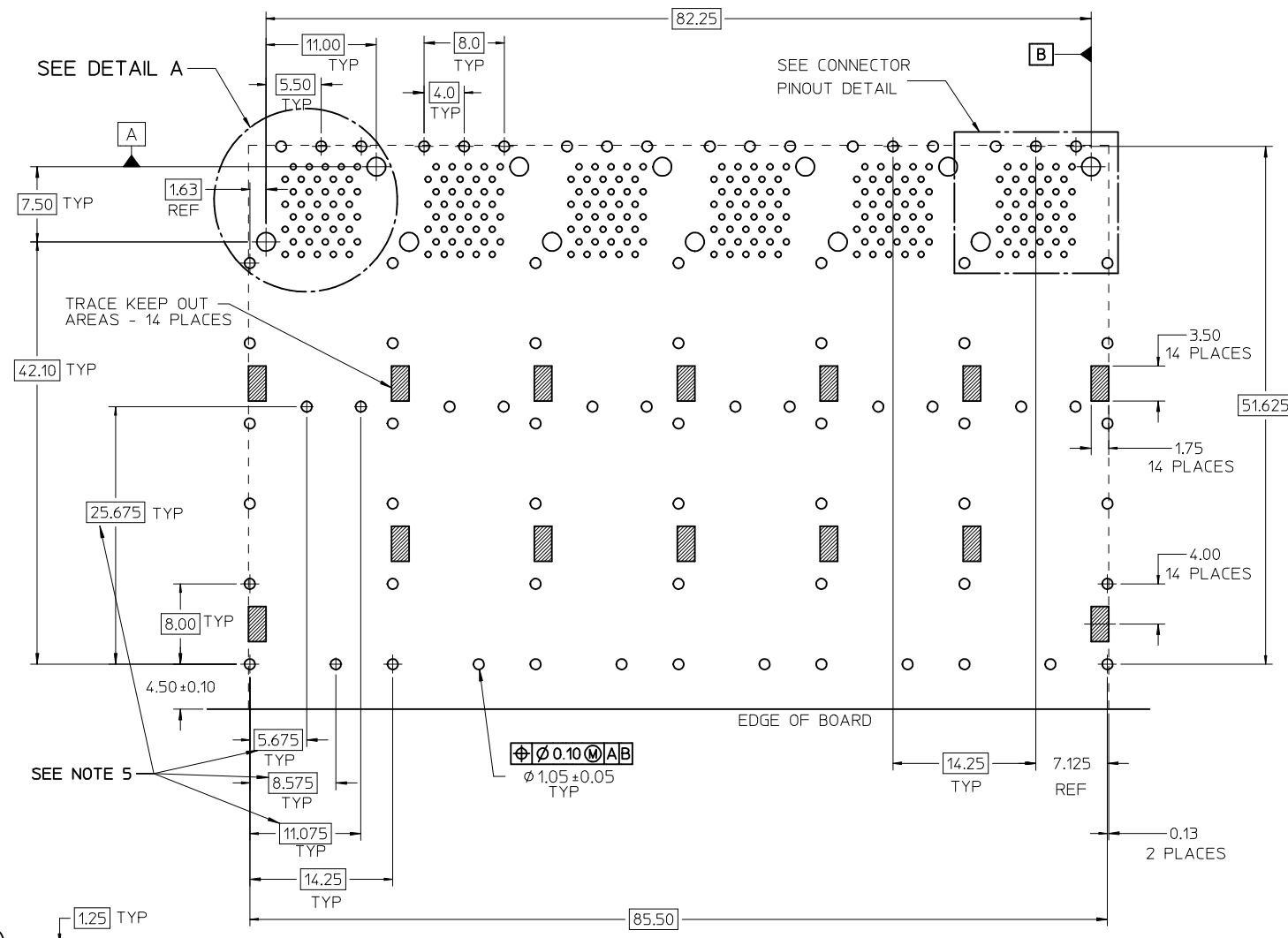
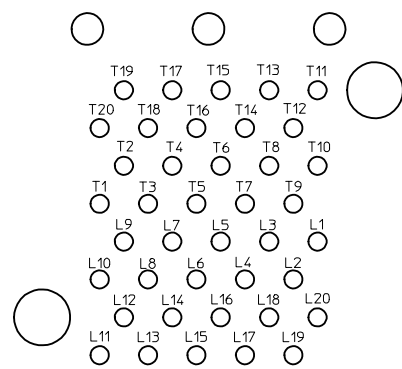


- NOTES:
- MATERIAL:
    - CAGE: NICKEL SILVER, THICKNESS: 0.25mm
    - CONNECTOR HOUSING: GLASS FILLED THERMOPLASTIC, UL: 94 V-0, COLOR: BLACK
    - OVERMOLD TERMINAL HOUSING: GLASS FILLED THERMOPLASTIC, UL: 94 V-0, COLOR: BLACK
    - TERMINALS: BRASS
  - FINISH
    - TERMINALS: CONTACT AREA: 0.76 MICROMETERS MINIMUM HARD GOLD OVER 1.27 MICROMETERS MINIMUM NICKEL.
    - COMPLIANT AREA: 0.76 - 1.52 MICROMETERS 90/10 TIN/LEAD OVER 0.76 - 1.52 MICROMETERS NICKEL.
  - REFER TO PS-75310-001 PRODUCT SPEC FOR ALL ELECTRICAL, MECHANICAL AND ENVIRONMENTAL SPECIFICATIONS.
  - REFER TO PK-75451-001 FOR ALL PACKAGING SPECIFICATIONS.
  - THE CURVED TAILS THAT GO INTO THE HOLES LOCATED BY THESE DIMENSIONS ARE BEING ELIMINATED. TO ACCOMMODATE THIS CONVERSION, IT IS RECOMMENDED THAT BOARDS DESIGNED TO THIS PRINT REVISION INCLUDE THESE HOLES.
  - PART COMPLIES WITH COSMETIC SPECIFICATION PS-45499-002. SEE SHEET 4 SECTION Z-Z FOR SURFACE CLASSIFICATIONS. UNDERSIDE OF CAGE COMPLIES WITH CLASS "C".

<b>ADD KEEP OUT ZONES</b> EC NO: UCP2010-0369 DRWN:MS BARRA 2009/07/09 CHKD: 2009/08/26 APPR: MILLER 2009/08/27	QUALITY SYMBOLS ▽=0 ▽=0	GENERAL TOLERANCES (UNLESS SPECIFIED)		DIMENSION STYLE <b>MM ONLY</b>	SCALE <b>3:1</b>	DESIGN UNITS <b>METRIC</b>	THIRD ANGLE PROJECTION	
		mm	INCH	DRAWN BY DROSCA	DATE 01-06-2005	TITLE <b>STACKED SFP 2X6 MEDIUM HEIGHT ASS'Y, PRESS-FIT FOUNDRY SALES DRAWING</b>		
		4 PLACES ± ---	± ---	CHECKED BY JLONG	DATE 01-06-2005	MATERIAL NO. <b>754771001</b>		
		3 PLACES ± ---	± ---	APPROVED BY RNELSON	DATE 02-15-2005	DOCUMENT NO. <b>SD-75477-101</b>		
2 PLACES ± 0.13	± ---	DRAFT WHERE APPLICABLE MUST REMAIN WITHIN DIMENSIONS		SIZE C	THIS DRAWING CONTAINS INFORMATION THAT IS PROPRIETARY TO MOLEX INCORPORATED AND SHOULD NOT BE USED WITHOUT WRITTEN PERMISSION			
1 PLACE ± 0.25	± ---				SHEET NO. 1 OF 4			
ANGULAR ± 5 °								



SEE SHEET 1 EC NO: UCP2010-0369 DRWINMSI BARRA 2009/07/09 CHKD: 2009/08/26 APPR: SMILLER 2009/08/27	QUALITY SYMBOLS ▽=0 ▽=0	GENERAL TOLERANCES (UNLESS SPECIFIED) <table border="1"> <thead> <tr> <th></th> <th>mm</th> <th>INCH</th> </tr> </thead> <tbody> <tr> <td>4 PLACES</td> <td>± 0.25</td> <td>± 0.010</td> </tr> <tr> <td>3 PLACES</td> <td>± 0.25</td> <td>± 0.010</td> </tr> <tr> <td>2 PLACES</td> <td>± 0.13</td> <td>± 0.005</td> </tr> <tr> <td>1 PLACE</td> <td>± 0.25</td> <td>± 0.010</td> </tr> </tbody> </table>		mm	INCH	4 PLACES	± 0.25	± 0.010	3 PLACES	± 0.25	± 0.010	2 PLACES	± 0.13	± 0.005	1 PLACE	± 0.25	± 0.010	DIMENSION STYLE MM ONLY	SCALE 3:1	DESIGN UNITS METRIC	THIRD ANGLE PROJECTION
		mm	INCH																		
	4 PLACES	± 0.25	± 0.010																		
	3 PLACES	± 0.25	± 0.010																		
2 PLACES	± 0.13	± 0.005																			
1 PLACE	± 0.25	± 0.010																			
DRAFT WHERE APPLICABLE MUST REMAIN WITHIN DIMENSIONS		DRAWN BY DROSCA	DATE 01-06-2005	TITLE STACKED SFP 2X6 MEDIUM HEIGHT ASS'Y, PRESS-FIT FOUNDRY SALES DRAWING																	
		CHECKED BY JLONG	DATE 01-06-2005	MOLEX INCORPORATED																	
		APPROVED BY RNELSON	DATE 02-15-2005	MATERIAL NO. 754771001	DOCUMENT NO. SD-75477-101	SHEET NO. 2 OF 4															

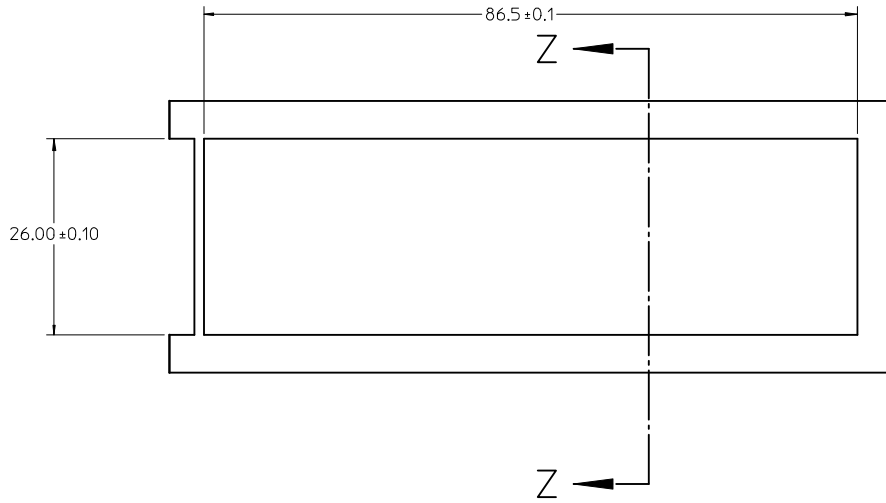


ADD KEEP OUT ZONES	QUALITY SYMBOLS
EC NO: UCP2010-0369	▽=0
DRWN:MSIBARRA 2009/07/09	▽=0
CHKD: 2009/08/26	
APPR:SMILLER 2009/08/27	
REV	DESCRIPTION

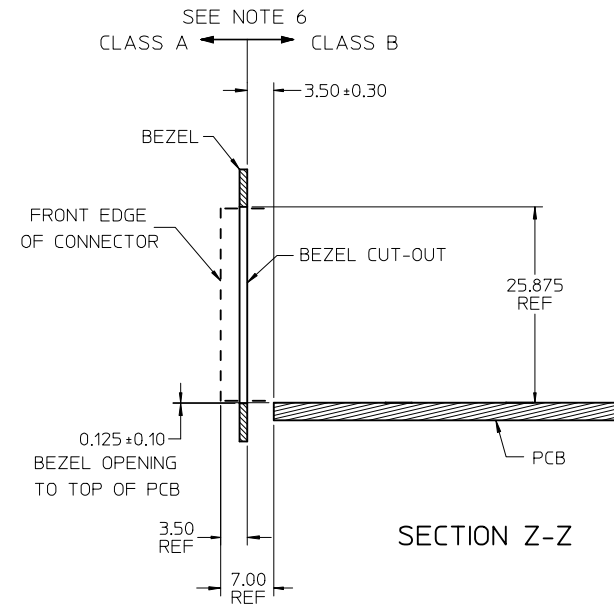
GENERAL TOLERANCES (UNLESS SPECIFIED)	
mm	INCH
4 PLACES ± .05	± .002
3 PLACES ± .03	± .001
2 PLACES ± 0.13	± .005
1 PLACE ± 0.25	± .010
ANGULAR ± 5°	
DRAFT WHERE APPLICABLE MUST REMAIN WITHIN DIMENSIONS	

DIMENSION STYLE	
MM ONLY	
DRAWN BY	DATE
DROSCA	01-06-2005
CHECKED BY	DATE
JLONG	01-06-2005
APPROVED BY	DATE
RNELSON	02-15-2005
MATERIAL NO.	
754771001	
SIZE	
C	

SCALE	DESIGN UNITS	THIRD ANGLE PROJECTION
3:1	METRIC	☉ □
TITLE		
STACKED SFP 2X6 MEDIUM HEIGHT ASS'Y, PRESS-FIT FOUNDRY SALES DRAWING		
MOLEX INCORPORATED		SHEET NO.
DOCUMENT NO.		3 OF 4
SD-75477-101		
THIS DRAWING CONTAINS INFORMATION THAT IS PROPRIETARY TO MOLEX INCORPORATED AND SHOULD NOT BE USED WITHOUT WRITTEN PERMISSION		



BEZEL CUT-OUT CENTER DETAIL  
BEZEL THICKNESS 0.8 - 2.6



SECTION Z-Z

SEE SHEET 1 EC NO: UCP2010-0369 DRWN:MS IBARRA 2009/07/09 CHKD: 2009/08/26 APPR:SMILLER 2009/08/27	QUALITY SYMBOLS ▽=0 ▽=0	GENERAL TOLERANCES (UNLESS SPECIFIED)		DIMENSION STYLE MM ONLY		SCALE 2:1	DESIGN UNITS METRIC	THIRD ANGLE PROJECTION		
			mm	INCH	DRAWN BY DROSCA	DATE 01-06-2005	TITLE <b>STACKED SFP 2X6 MEDIUM HEIGHT ASS'Y, PRESS-FIT</b> <b>FOUNDRY SALES DRAWING</b>			
		4 PLACES ± ---	± ---	CHECKED BY JLONG	DATE 01-06-2005					
		3 PLACES ± ---	± ---	APPROVED BY RNELSON	DATE 02-15-2005	MATERIAL NO. <b>754771001</b>		DOCUMENT NO. <b>SD-75477-101</b>		SHEET NO. <b>4 OF 4</b>
2 PLACES ± 0.13	± ---	DRAFT WHERE APPLICABLE MUST REMAIN WITHIN DIMENSIONS			THIS DRAWING CONTAINS INFORMATION THAT IS PROPRIETARY TO MOLEX INCORPORATED AND SHOULD NOT BE USED WITHOUT WRITTEN PERMISSION					
1 PLACE ± 0.25	± ---									ANGULAR ± 5 °