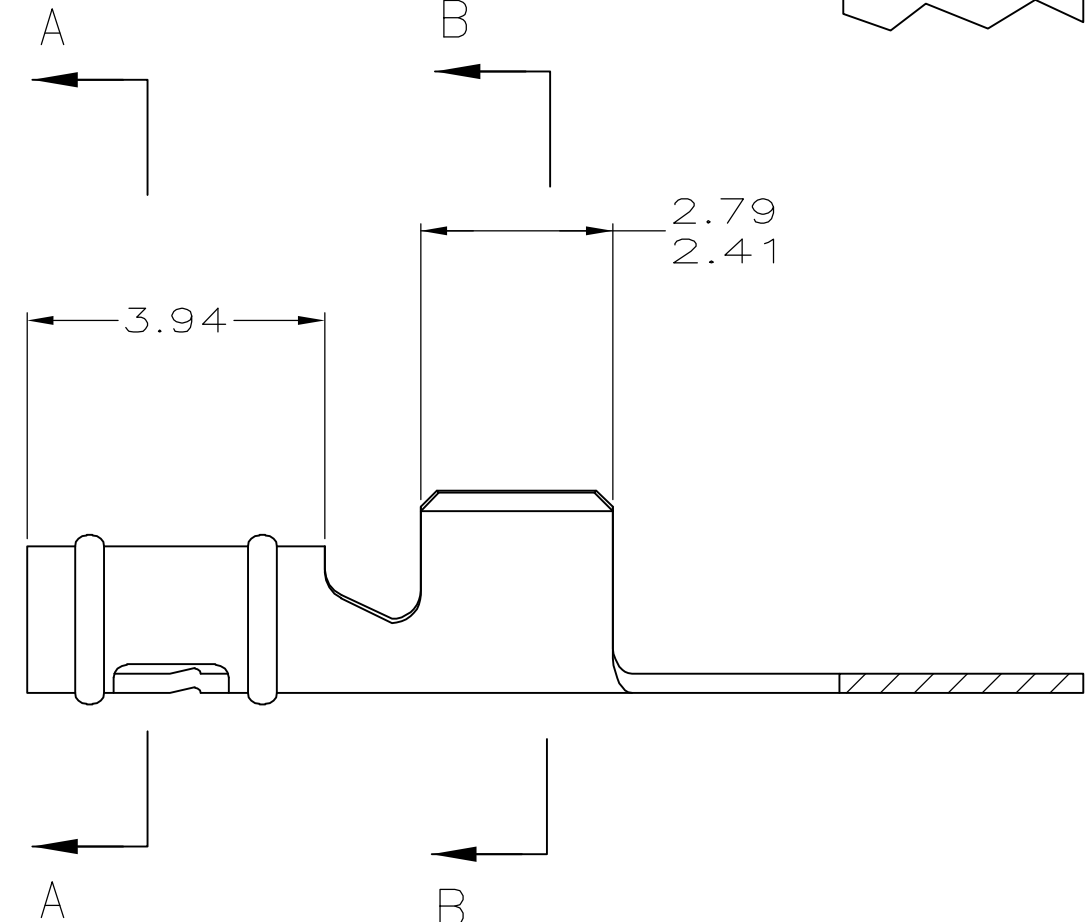
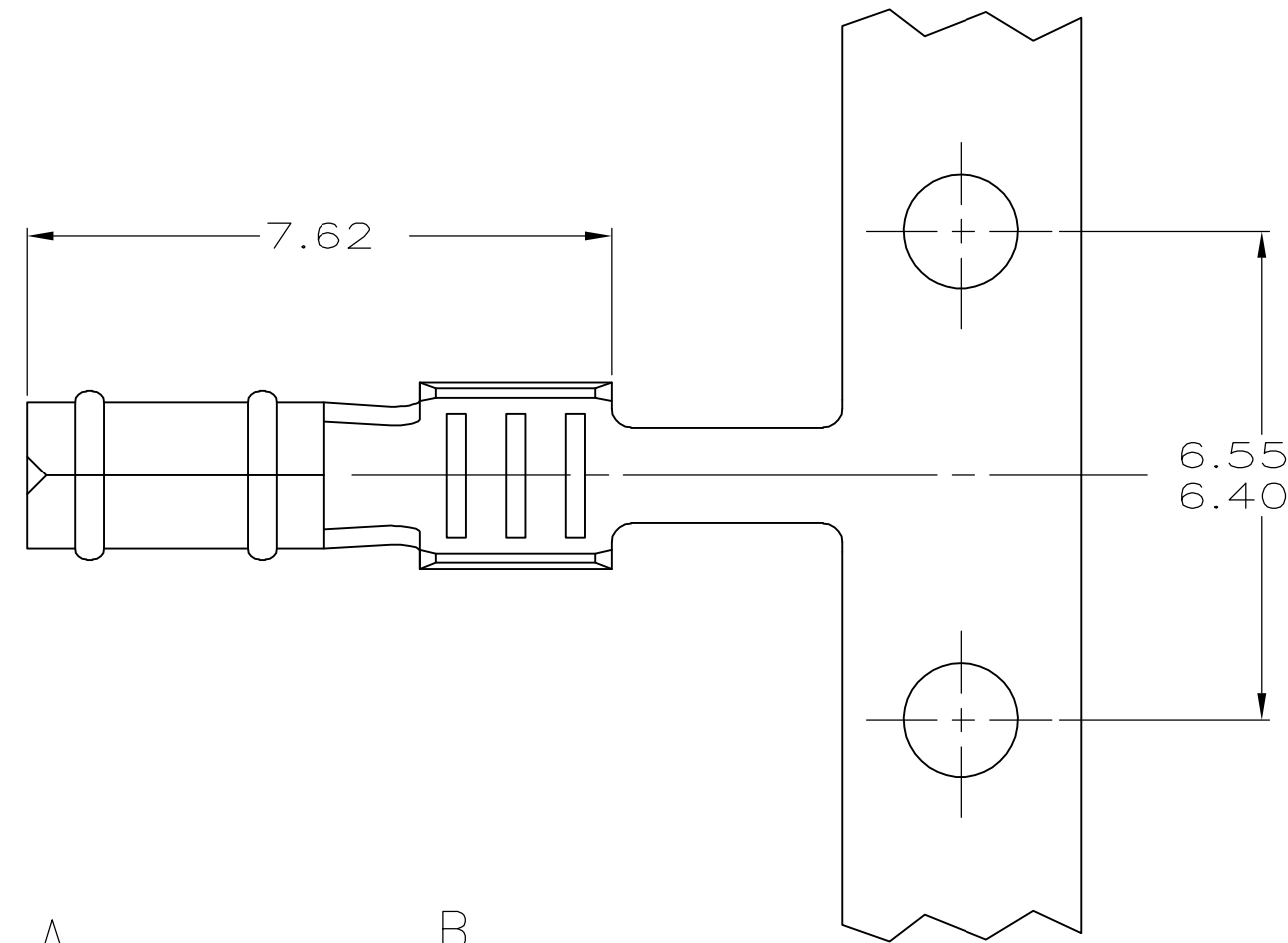


THIS DRAWING IS UNPUBLISHED. RELEASED FOR PUBLICATION  
 © COPYRIGHT BY TYCO ELECTRONICS CORPORATION. ALL RIGHTS RESERVED.

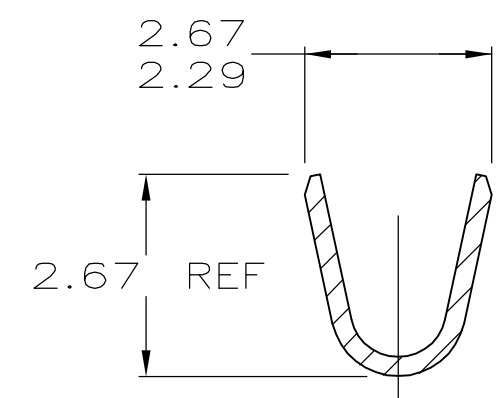
LOC	DIST	REVISIONS					
CM	0	P	LTR	DESCRIPTION	DATE	DWN	APVD
		E		REVISED PER ECO-07-004858	02MAR07	KW	DB



- 1. 0.00203 MIN MATTE TIN PLATING OVER ALL.
- 2. WIRE RANGE: 0.3 - 1 MM<sup>2</sup> (22 - 17 AWG)
- 3. 0.00038 MIN GOLD OVER 0.00127 MIN NICKEL UNDERPLATE ALL OVER.



SECTION A-A

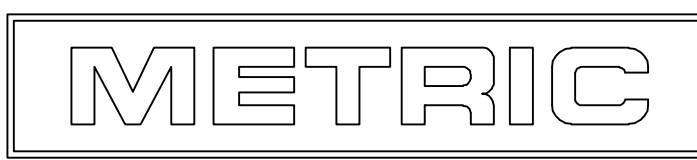


SECTION B-B

3	0.25 BE CU	640259-2
1	0.25 BE CU	640259-1
FINISH	MATERIAL	PART NUMBER

MM	IN	MM	IN	MM	IN	MM	IN
0.13	.005	1.486	.0585	2.79	.110	7.62	.300
0.00203	.000080	1.47	.058	2.67	.105	6.55	.258
0.00127	.000050	1.359	.0535	2.41	.095	6.40	.252
0.00038	.000015	0.25	.010	2.29	.090	3.94	.155

CONVERSION TABLE



THIS DRAWING IS A CONTROLLED DOCUMENT.		DWN T. BECK 6-10-97	Tyco Electronics Corporation Harrisburg, PA 17105-3608	
DIMENSIONS: mm		CHK R. SWING 6-10-97		
TOLERANCES UNLESS OTHERWISE SPECIFIED:		APVD A. BEDDICK 6-17-97	NAME RECEPTACLE, .058 DIAMETER, 22-17 AWG, P.C. CONTACT	
0 PLC ± -		PRODUCT SPEC 108-1025	SIZE A2	
1 PLC ± -		APPLICATION SPEC 114-1008	CAGE CODE 00779	DRAWING NO C=640259
2 PLC ± 0.13		WEIGHT -	RESTRICTED TO -	
3 PLC ± -		CUSTOMER DRAWING	SCALE 10:1	SHEET 1 of 1
4 PLC ± -		SEE TABLE	REV E	
ANGLES ± -				
FINISH SEE TABLE				

640259-0259