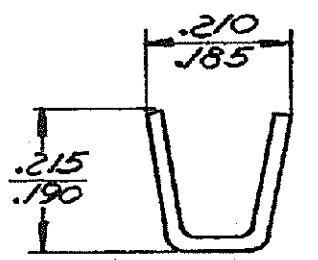
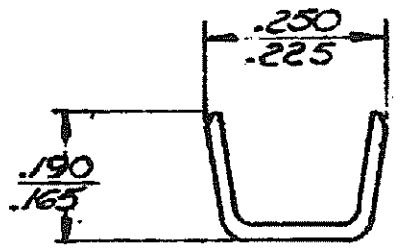
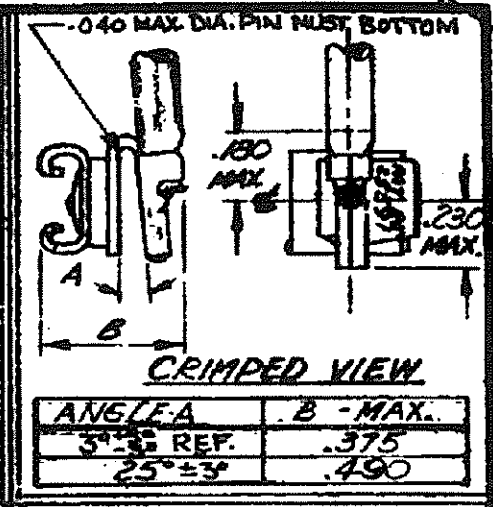
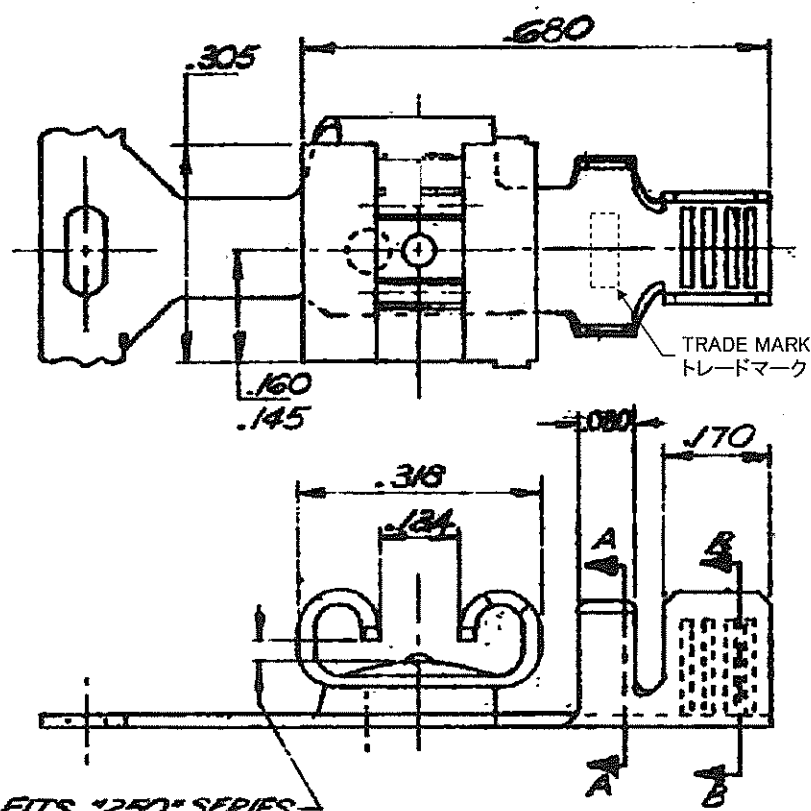


NUMBER 61187



FITS #250* SERIES FASTON TAB (REFER TO CD. M. 251) TAB MAY ENTER FROM EITHER END.

CONTINUOUS STRIP ON REELS

| WIRE SIZE A.W.G. | INSULATION RANGE | TAB THK. .001 | MATERIAL AND FINISH | TERMINAL NUMBER |
|------------------|------------------|---------------|------------------------|-----------------|
| 12-10 | 130-170 | .032 | ONE ENDS BRONZE-TIN | 61187-1 |
| 12-10 | 130-170 | .032 | TWO ENDS BRONZE-SILVER | 61187-2 |

OBSOLETE

DIMENSIONS IN INCHES. DO NOT SCALE PRINT.

| | | | | |
|----|-------------------------------|-----|-----|--------------|
| F1 | P/N OBSOLETE ECR-08-031060 | Y.Y | N.Y | 8DEC 2008 |
| F | REVISED ECR-07-011381 | J.S | S.M | 25MAY '07 |

| | | | | |
|---|-------------------|----|-----|---------|
| E | REVISED A-096W | JR | W | 1/10/67 |
| D | REVISED AK23 | cm | ES | 2/10/67 |
| C | REVISED - A-13AS | cm | ebw | 7/10/68 |
| B | REVISED A-12A2 | cm | | 7/26/68 |
| A | REVISED-RELEASED | CG | mb | 8/26/67 |
| | WAS - P-29624-152 | | | |

TYCO ELECTRONICS CORPORATION, KAWASAKI, JAPAN

CLASS: ———

TYPE: ———

WIRE — RANGE — INSULATION

SCALE: ± .015 ± 1%

LEG: J A4

REF: 61187

REV: F1

| | | | | |
|-----|-----------------|---------|-----------|---------|
| LTR | REVISION RECORD | DR | CHK | DATE |
| | CLAUDE E. FINK | DE | E. GOMBAR | 4-21-67 |
| | 4-13-67 | | | |
| | CHK C. MEYERS | 4-21-67 | | |

NAME: #250* SERIES REVERSIBLE FLAG FASTON RECEPTACLE