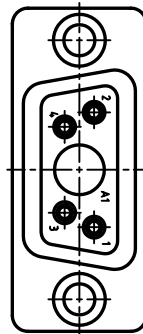
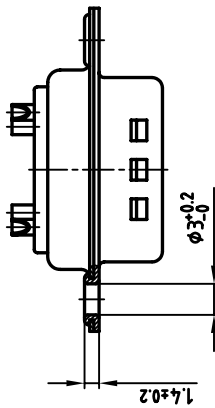
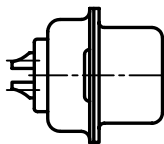
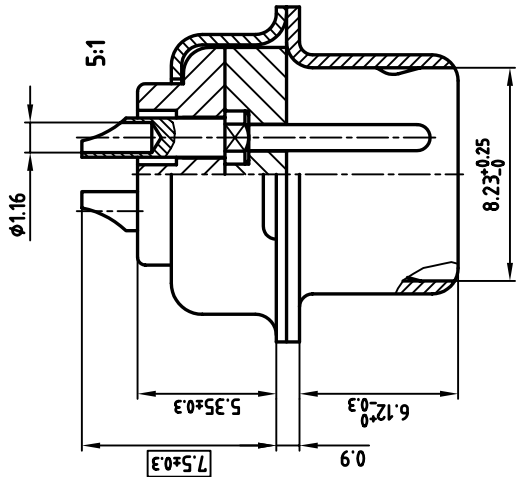
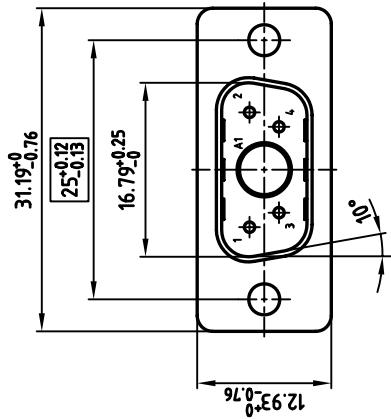


used for: D-SUB COMBINATION



NOTES:

1. METAL SHELLS: STEEL; TIN PLATED
2. INSULATORS: PBT GF, UL 94 V-0; GREEN
3. CONTACTS: COPPER ALLOY
4. PLATING: MIN. 30µ" HARD GOLD OVER MIN. 50µ" NICKEL



THIS DRAWING MAY NOT BE COPIED OR REPRODUCED IN ANY WAY, AND MAY NOT BE PASSED ON TO A THIRD PARTY WITHOUT WRITTEN PERMISSION.
 OWNERSHIP AND COPYRIGHT OF CONEC GMBH DO NOT ALTER CAD DRAWING BY HAND

rev.	description	date	name

1999	date	name
	08.10.	Barcinski
	08.10.	Mickenbecker

tolerance	2:1 (5:1)
material	SEE NOTES
title	D-SUB COMBINATION MALE 5W/P SOLDER CUP
dwg no:	CAD/ REL.14 DIN-A 3
product no:	13K11T8A 3005W/PCM99A10X

