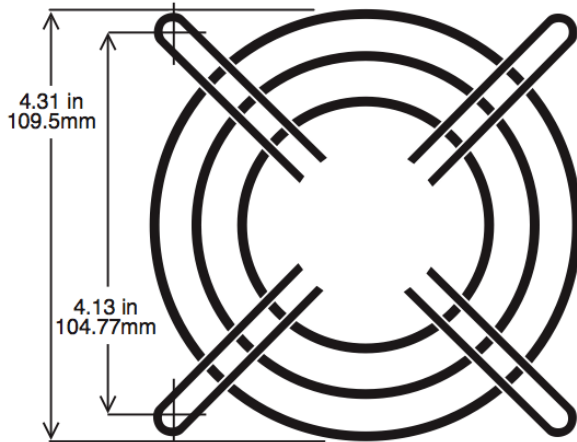


# G109 Series



# Fan Guards for 120mm Fan

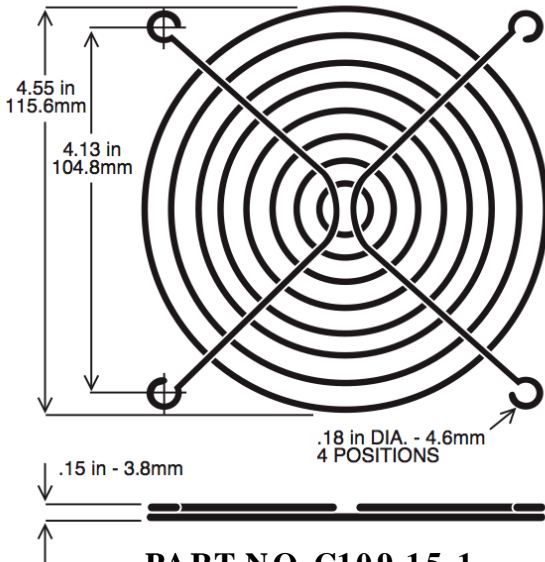


**PART NO. G109-3A**  
 WIRE DIAMETER.  
 RING DIA: 1.6 mm  
 RIB DIA: 1.6 mm  
 FINISH: BRIGHT NICKEL CHROME

**PART NO. G109-3A/ PK**  
 10-PACK G109-3A GUARDS,  
 BOXED

**NOTES:**

1. MATERIAL: C1008 BRIGHT BASIC WIRE
2. WELD JOINTS TO WITHSTAND 88LBS PULL FORCE
3. GENERAL TOLERANCE UNLESS NOTED +/-0.5 mm
4. PART MEETS 6.35 mm PLUG GAUGE TEST

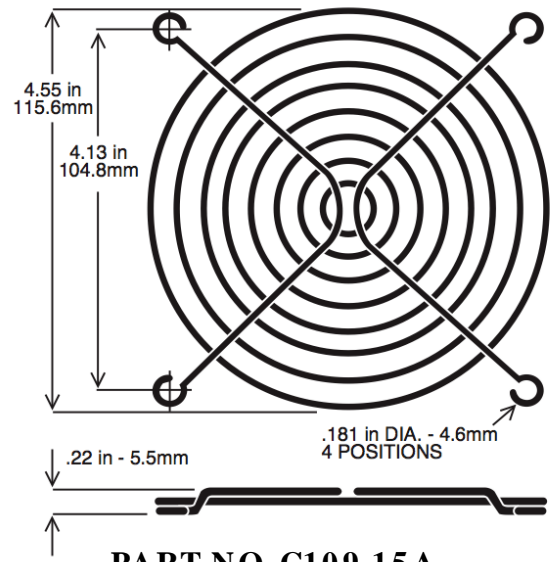


**PART NO. G109-15-1**  
 WIRE DIAMETER.  
 RING DIA: 1.8 mm  
 RIB DIA: 1.8 mm  
 FINISH: BRIGHT NICKEL CHROME

**PART NO. G109-15-1/ PK**  
 10-PACK G109-15-1 GUARDS, BOXED

**PART NO. G109-15B-1**  
 WIRE DIAMETER.  
 RING DIA: 1.8 mm  
 RIB DIA: 2.3 mm  
 FINISH: BLACK

**PART NO. G109-15B-1/ PK**  
 10-PACK G109-15B-1 GUARDS, BOXED



**PART NO. G109-15A**  
 WIRE DIAMETER.  
 RING DIA: 1.8 mm  
 RIB DIA: 1.8 mm  
 FINISH: BRIGHT NICKEL CHROME

**PART NO. G109-15A/ PK**  
 10-PACK G109-15A GUARDS, BOXED

**PART NO. G109-15AB**  
 WIRE DIAMETER.  
 RING DIA: 1.8 mm  
 RIB DIA: 1.8 mm  
 FINISH: BLACK

**PART NO. G109-15AB/ PK**  
 10-PACK G109-15AB GUARDS, BOXED