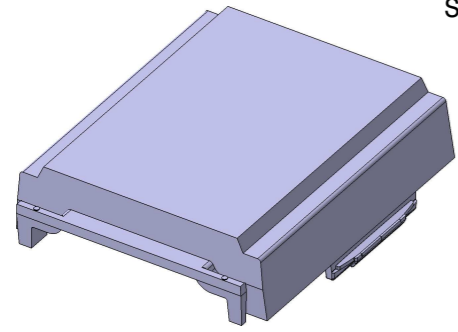
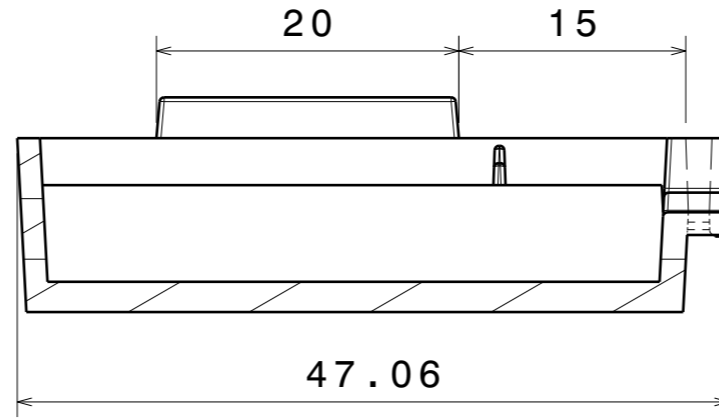


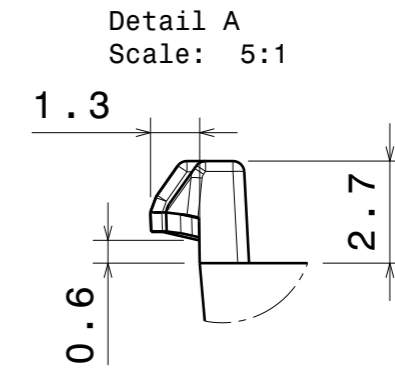
H G F E D C B A



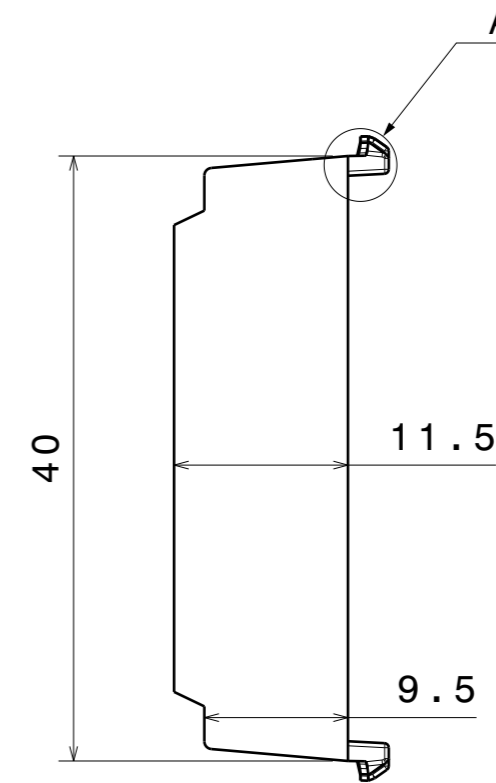
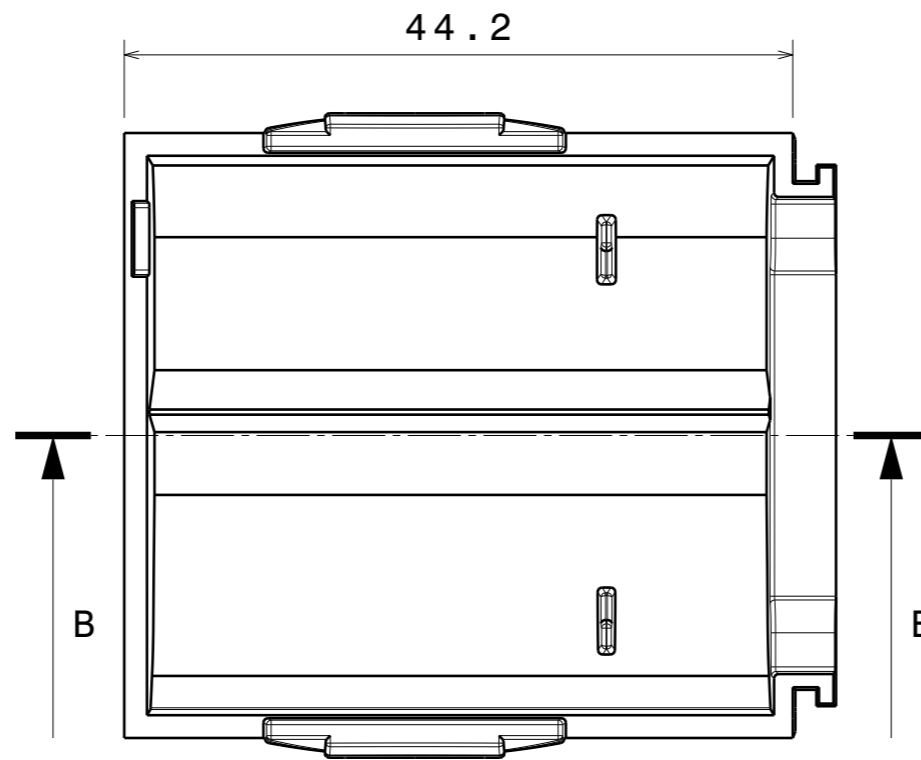
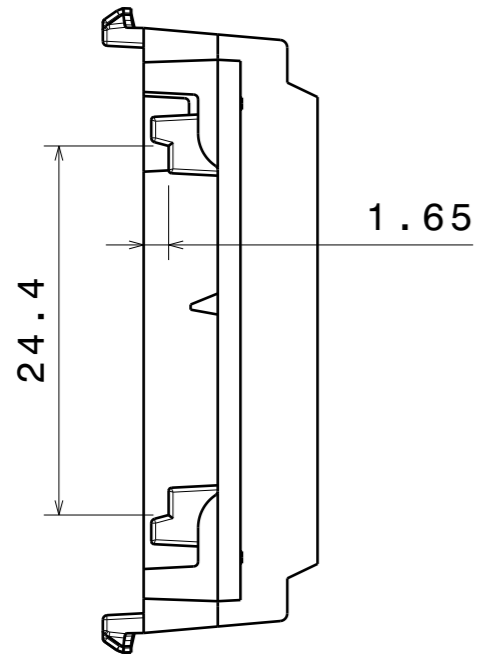
Isometric view  
Scale: 1:1



Section view B-B  
Scale: 2:1



Detail A  
Scale: 5:1



**GENERAL MOULDING TOLERANCES**

Dimension [mm]	PMMA / PC
>0-6	± 0.2
>6-22	± 0.25
>22-40	± 0.30
>40-90	± 0.44
>90-160	± 0.60
>160-200	± 0.70
>200-315	± 1.1
>315	± 1.3

PART	TYPE	MATERIAL	COLOR / COATING
F16342		PC	CLEAR

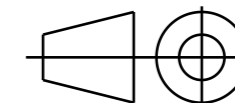
**MECHANICAL DRAWING**

PRODUCT  
**F16342\_LINNEA-ZT25-END-B-FL**

**LEDiL®**

Tolerances if not otherwise shown  
According to DIN ISO 2768-1  
Linear measures: Up to 30mm  
class M, otherwise class C.  
According to DIN ISO 2768-2  
Form and position: class L

FIRST ANGLE PROJECTION:



This drawing is the property of LEDiL Oy. It may not be reproduced, copied or communicated without a written agreement with LEDiL Oy.

SCALE 2:1

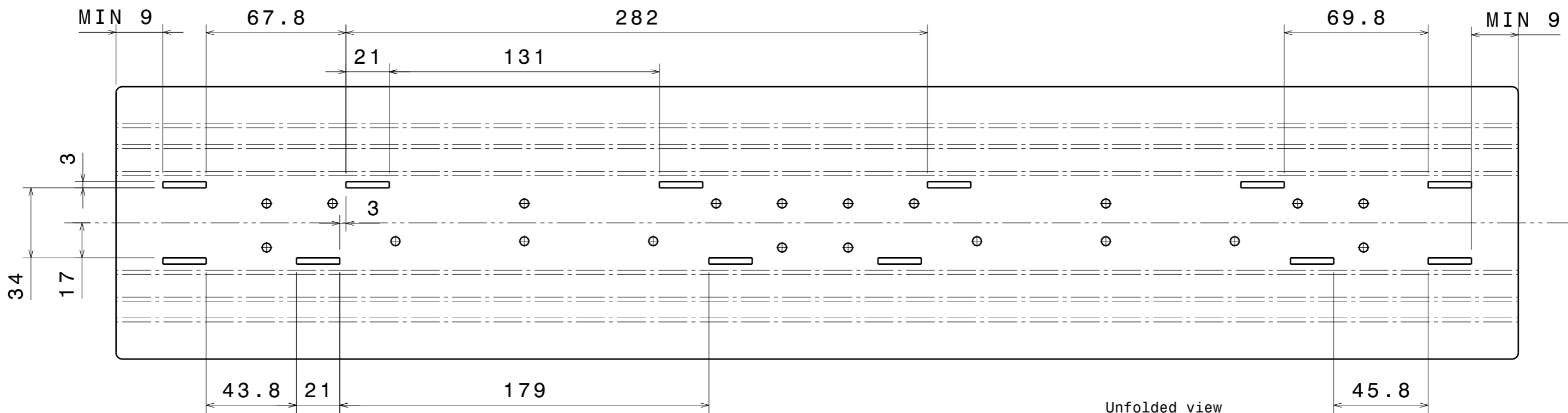
WEIGHT 8 g

A3 SHEET 1/2

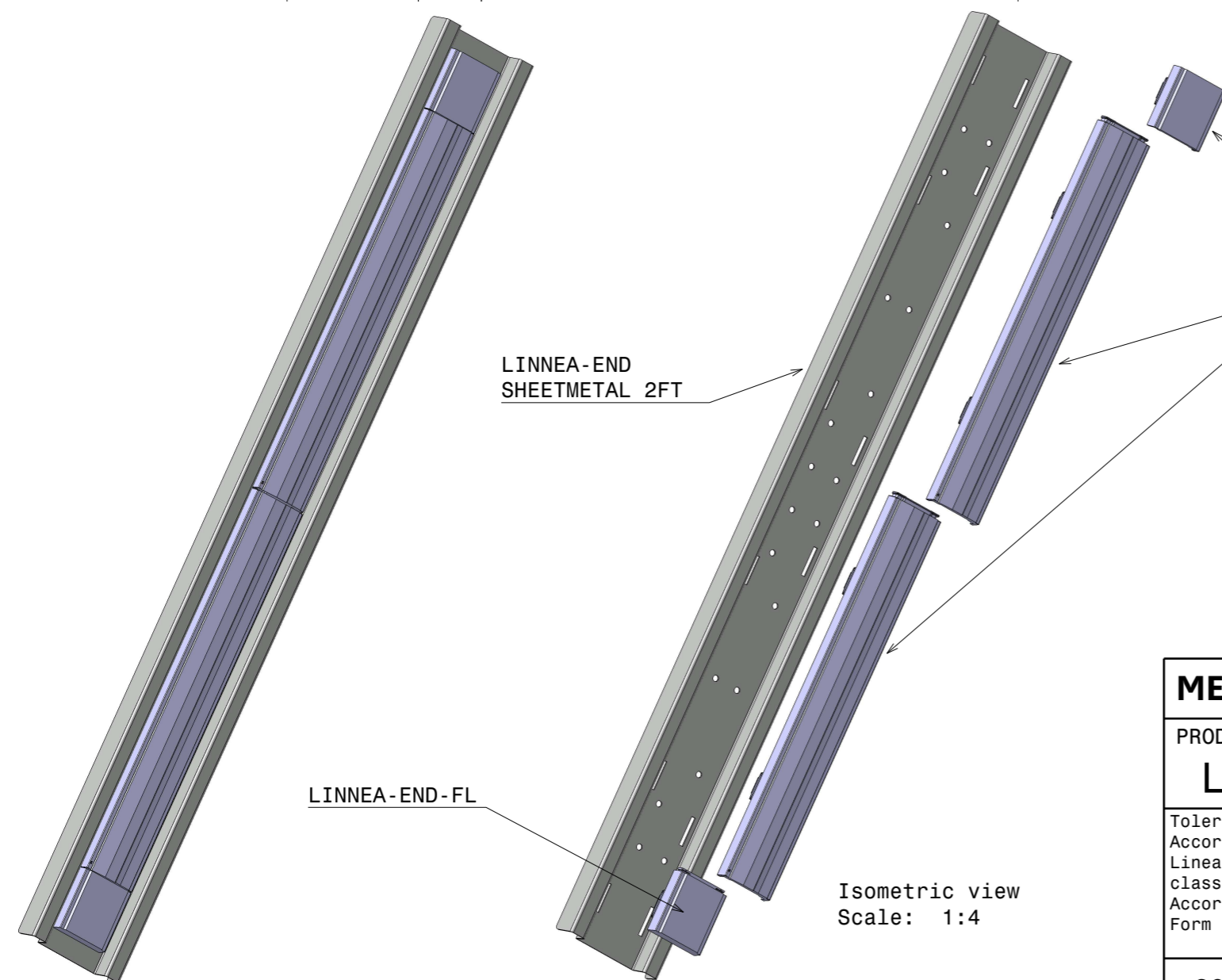
**Notes**

- PCB or heatsink level.
- LED location.
- Ensure LED fitting from a product specific 3D model available from [www.ledil.com](http://www.ledil.com).
- See installation details in page 2.

H G B A



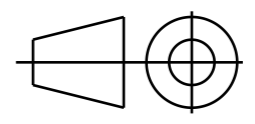
Unfolded view  
Scale: 1:2



Isometric view  
Scale: 1:4

**COMPONENTS**

INDEX	PART	TYPE	MATERIAL	COLOR / COATING
1	LINNEA-END SHEETMETAL 2FT			
2	LINNEA		PC	clear
3	LINNEA-END-FL		PC	clear
4	LINNEA-END-ML		PC	clear

<b>MECHANICAL DRAWING</b>		<b>LEDiL</b> <sup>®</sup>
PRODUCT <b>LINNEA-END SHEETMETAL CUT OUT</b>		
Tolerances if not otherwise shown According to DIN ISO 2768-1 Linear measures: Up to 30mm class M, otherwise class C. According to DIN ISO 2768-2 Form and position: class L	FIRST ANGLE PROJECTION: 	This drawing is the property of LEDiL Oy. It may not be reproduced, copied or communicated without a written agreement with LEDiL Oy.
SCALE 1:2	WEIGHT -	