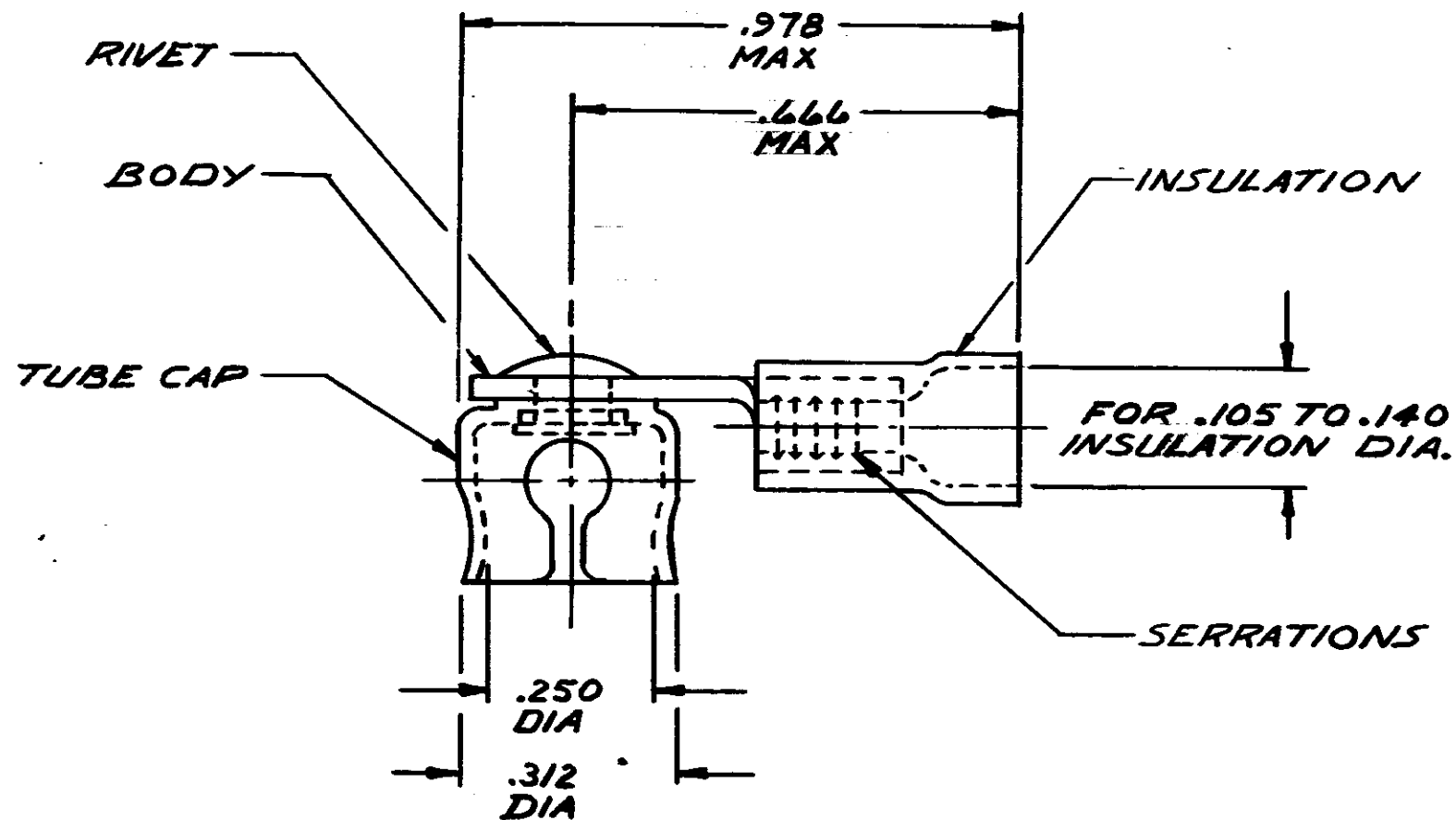


© COPYRIGHT 19 BY AMP INCORPORATED, HARRISBURG, PA.
 ALL INTERNATIONAL RIGHTS RESERVED. AMP INCORPORATED PRODUCTS
 COVERED BY U. S. AND FOREIGN PATENTS AND/OR PATENTS PENDING.

				1	LOC 9	DIST 14
REVISIONS						
P	F	ZONE	LTR	DESCRIPTION	DATE	APPROVED
1	1		0	RELEASED PER NPS P79-0060	11/1/60	JLM



TONGUE MATERIAL THICKNESS = .031 ± .002

BODY: COPPER (QQ-C-576) ANNEALED, TIN PLATE (MIL-T-10727) CLIP: COPPER/ZINC ALLOY (MIL-C-50) TIN PL (MIL-T-10727) RIVET: BRASS, TIN PL (MIL-T-10727) INSULATION: PVC, COLOR - BLACK		55137-1
MATERIAL & FINISH		PART NO
UNLESS OTHERWISE SPECIFIED DIMENSIONS ARE IN INCHES. TOLERANCES ON: DECIMALS ± ANGLES ±	CONTRACT NO	AMP AMP INCORPORATED Harrisburg, Pa. NAME PG TUBE CAP ASSY WIRE SIZE 22-16
	DR <i>JLM</i> 11/1/60	
MATERIAL	CHK <i>TEC</i> 11-5-60	SIZE B
SEE TABLE	APPD <i>JLM</i> 11-6-60	CODE IDENT NO 00779
FINISH	APPD	DRAWING NO 55137
SEE TABLE	DSGN APPD	SCALE NTS
	OTHER APPD	SHEET 1 of 1