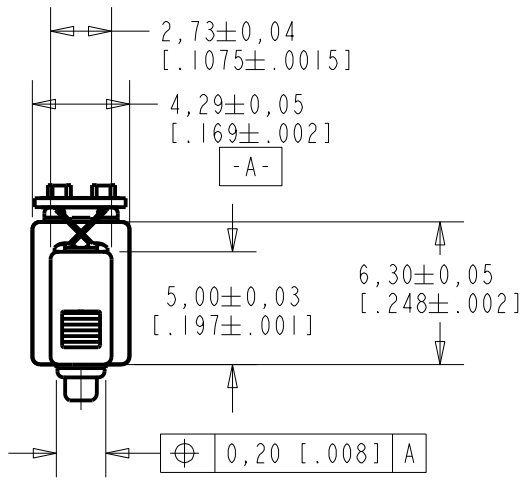


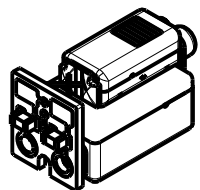
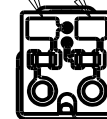
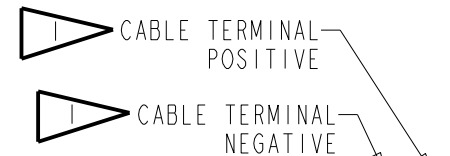
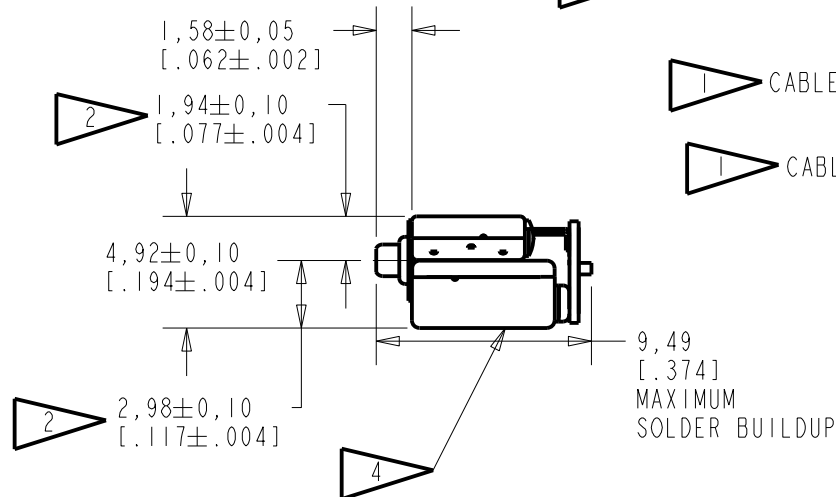
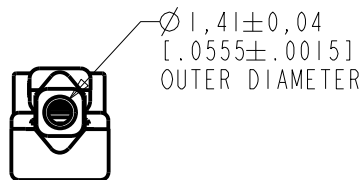
GO-30783-000

SHT 1.1



NOTES:

- 1 A POSITIVE GOING VOLTAGE AT THE POSITIVE TERMINAL RELATIVE TO THE NEGATIVE TERMINAL CAUSES A DECREASE IN PRESSURE AT THE SOUND OUTLET.
- 2 LOCATED FROM TWO SURFACES FOR CUSTOMER CONVENIENCE. ONLY APPLICABLE FROM ONE SURFACE, NOT TO BE USED TOGETHER.
- 3 BACK VENT HOLE TO BE CLEAN AND CLEAR OF DEBRIS.
- 4 LASER MARK ON OUTSIDE OF ED CUP.



DIMENSIONS IN MILLIMETERS [INCHES]

KNOWLES ELECTRONICS
 ITASCA, ILLINOIS U.S.A.

Revision	C.O. #	Implementation Date	RELEASE LEVEL	REVISION
			Active	D
D	CI0116006	6-6-14		
SCALE: 3:1			DR. BY	DATE
DO NOT SCALE DRAWING			MMM	7-28-09
			CK. BY	DATE
TITLE: RECEIVER			GJP	7-30-09
			GO-30783-000	
OUTLINE DRAWING			GJP	7-30-09
			SHT 1.1	

UNDAMPED MAGNETIC BALANCED ARMATURE RECEIVERS INTENDED FOR USE AS THE HIGH AND LOW FREQUENCY DRIVERS IN A Hi Fi SYSTEM. THE GQ RECEIVER COMBINES A WBFK AND ED RECEIVERS COUPLED THROUGH A CIRCUIT TO PROVIDE THE RESPONSE SHAPE.

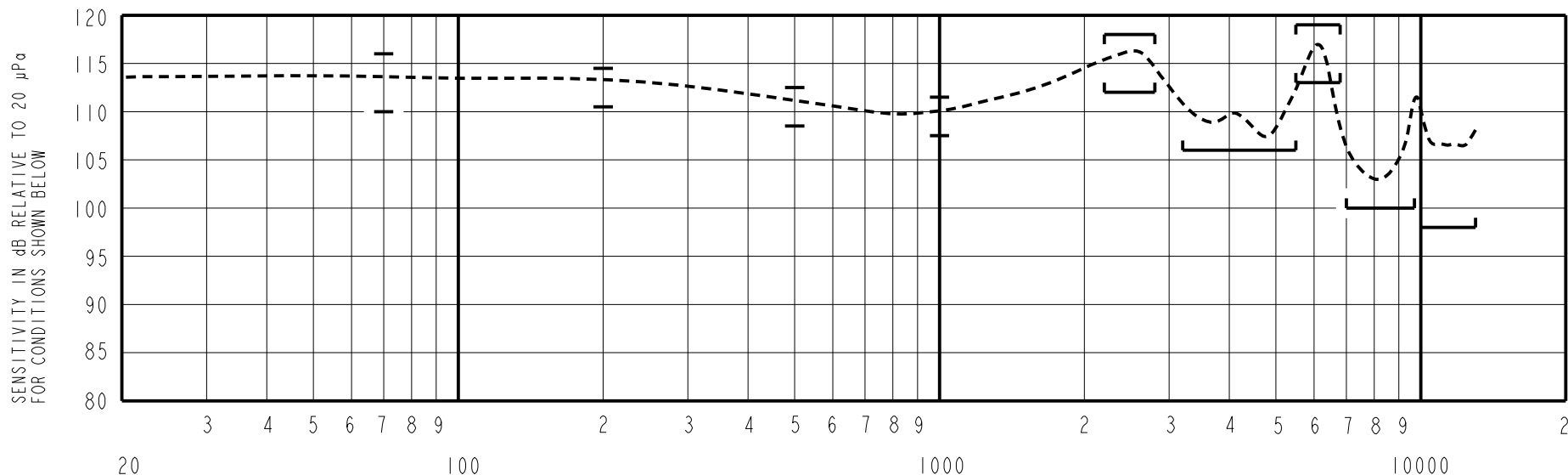
NO DAMPING

GQ-30783-000

SHEET 2.1

CONSTANT VOLTAGE DRIVE CONDITIONS

TESTED WITH VENT UNSEALED



TEST CONDITIONS

NOMINAL SOURCE VOLTAGE	0.101 V rms, 0 V DC BIAS
SOURCE IMPEDANCE	<1 Ohm
TUBING	7 X 2 mm + 0.188cc CAVITY
COUPLER CAVITY	IEC 60318-4 ("711")
TEST STATION	FCAAT

TABLE 1

ACOUSTICAL

SENSITIVITY
DEVICE WILL PRODUCE THE SPL LISTED BELOW UNDER TEST CONDITIONS IN TABLE 1. NOMINAL SENSITIVITY AT 1kHz IS dB RELATIVE TO 20 µPa. ALL OTHER VALUES IN dB RELATIVE TO THE SENSITIVITY AT 1kHz.

FREQUENCY (Hz)	MINIMUM	NOMINAL	MAXIMUM
70	+0.5	+3.5	+6.5
200	+1.0	+3.0	+5.0
500	-1.0	+1.0	+3.0
1000	-2.0	109.5	+2.0
2200 - 2800	+2.5	+6.0	+8.5
3200 - 5500	-3.5	---	---
5500 - 6800	+3.5	+6.5	+9.5
7000 - 9700	-9.5	---	---
10000 - 13000	-11.5	---	---

TABLE 2

TOTAL HARMONIC DISTORTION
DEVICE WILL NOT EXCEED TOTAL HARMONIC DISTORTION LEVELS LISTED BELOW.

FREQUENCY (Hz)	AC DRIVE (V rms)	DC BIAS (mA)	LIMIT (%)
500	0.202	0	8
830	0.101	0	5
1250	0.101	0	5

TABLE 3

ELECTRICAL

DC RESISTANCE	12.5 Ohms ± 10%
IMPEDANCE @ 500 Hz	21.5 Ohms ± 15%
IMPEDANCE @ 1kHz	39.4 Ohms ± 15%

TABLE 4

ISOLATION: CASE WILL BE ELECTRICALLY ISOLATED FROM THE COIL CIRCUIT.

MECHANICAL

PORT LOCATION: 12S
SOLDER TYPE: SAC305 (LEAD FREE)

TEMPERATURE:

OPERATING: SENSITIVITY AT 1K Hz WILL NOT VARY MORE THAN +1/-3 dB FROM 17°C TO 63°C.
STORAGE: -40°C TO 63°C.

BUZZ TEST

LISTENING TEST CONDUCTED BETWEEN 20Hz TO 3kHz TO DETECT BUZZ.

INPUT DRIVE SIGNAL	0.18V
--------------------	-------

TABLE 5

Revision	C.O. #	Implementation Date	RELEASE LEVEL	REVISION
			Active	D
D	C10116006	6-6-14		

KNOWLES ELECTRONICS
ITASCA, ILLINOIS U.S.A.

WHEN TEST LIMITS ARE USED TO ESTABLISH INCOMING INSPECTION ACCEPTANCE/REJECTION CRITERIA, CORRELATION OF TEST EQUIPMENT WITH KNOWLES IS ALSO REQUIRED FOR ELIMINATION OF EQUIPMENT AND TEST METHOD VARIATION

TITLE: **RECEIVER**
PERFORMANCE SPECIFICATION

GQ-30783-000
SHT 2.1

DR. BY	DATE
MMM	7-28-09
CK. BY	DATE
GJP	7-30-09
APP. BY	DATE
GJP	7-30-09