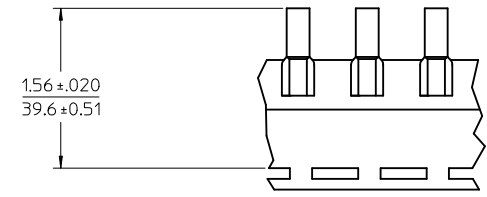
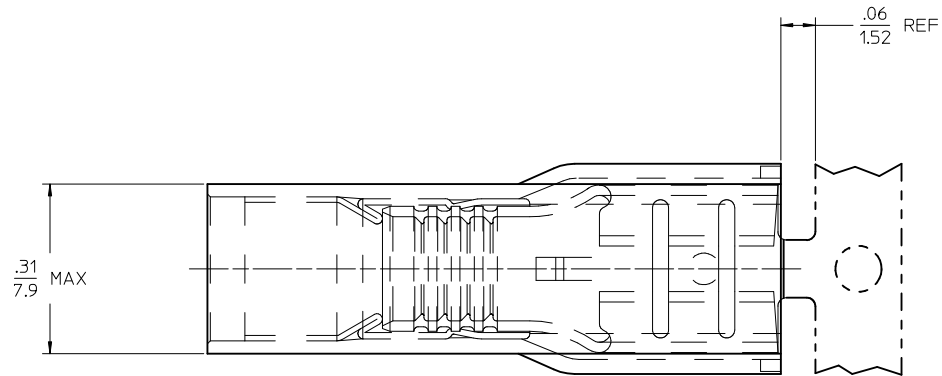


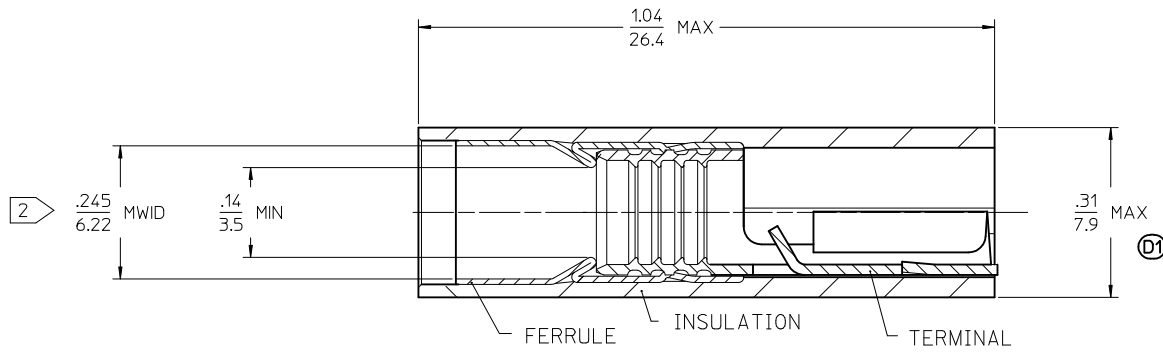
| | | | | | | | | | | | | |
|---------------------------|------------------------------|--------------------------|-----------------------------|-------------------------|----------------------------|------------------------------------|-------------------------|---|---|---|---|---|
| 13 | 12 | 11 | 10 | 9 | 8 | 7 | 6 | 5 | 4 | 3 | 2 | 1 |
| MATERIAL NUMBER LOOSE PCS | ENGINEERING NUMBER LOOSE PCS | MATERIAL NUMBER ON STRIP | ENGINEERING NUMBER ON STRIP | MATERIAL NUMBER ON TAPE | ENGINEERING NUMBER ON TAPE | WIRE SIZE | ACCEPTS TAB SIZE | | | | | |
| 190020044 | C-5265 | 190020046 | C-5265Z | 190020045 | C-5265T | 12-10 AWG /2.7-6.6 mm ² | .250 X.032 /6.35 X 0.81 | | | | | |

Ⓛ1

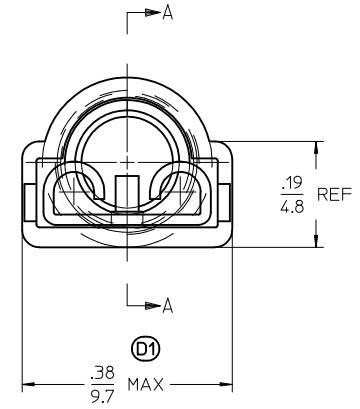
Ⓛ1



PARTS ON TAPE



SECTION A-A



SALES DRAWING

NOTES:

- MATERIAL: TERMINAL BRASS .018/0.46 THK REF.
TERMINAL PLATING: ELECTRO TIN
FERRULE: BRASS
FERRULE PLATING: ELECTRO TIN
INSULATION: NYLON 94V2 COLOR YELLOW.
- MVID = MAXIMUM WIRE INSULATION DIAMETER
- PART IS RoHS COMPLIANT

| | | | | | | | |
|---|--|---------------------------------------|-----------------------|---|---|--------------|------------------------|
| ADD DIMS. RMV 19606 EC NO: WNA2011-0458 DRW:ETHRODAHL 2011/03/08 CHKD:JMACNEIL 2011/03/08 APPR:JMACNEIL 2011/07/05 | QUALITY SYMBOLS | GENERAL TOLERANCES (UNLESS SPECIFIED) | | DIMENSION STYLE | SCALE | DESIGN UNITS | THIRD ANGLE PROJECTION |
| | ▽=0 | mm | INCH | IN/MM | --- | INCH | |
| | ▽=0 | 4 PLACES ± --- ± --- | 3 PLACES ± --- ± .005 | DRAWN BY DATE | TITLE | | |
| | | 2 PLACES ± 0.13 ± .01 | 1 PLACE ± 0.25 ± --- | BENDERLE 2005/04/15 | AVIKRIMP FEMALE FIQD 12-10 AWG EXPANDED FLARE | | |
| | ANGULAR ± 1/2° | | APPROVED BY DATE | MOLEX MOLEX INCORPORATED | | | SHEET NO. |
| | DRAFT WHERE APPLICABLE MUST REMAIN WITHIN DIMENSIONS | | R DEROSS 2005/04/15 | SEE CHART | | | SD-19002-005 |
| | | | MATERIAL NO. | THIS DRAWING CONTAINS INFORMATION THAT IS PROPRIETARY TO MOLEX INCORPORATED AND SHOULD NOT BE USED WITHOUT WRITTEN PERMISSION | | | 1 OF 1 |
| D1 | | | | | | | |