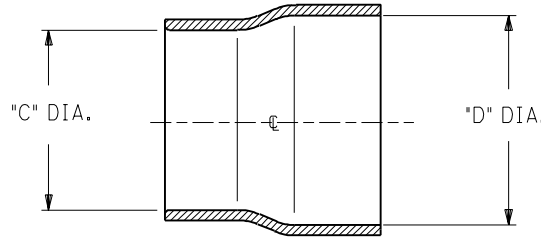
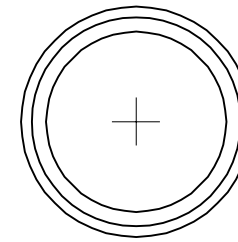
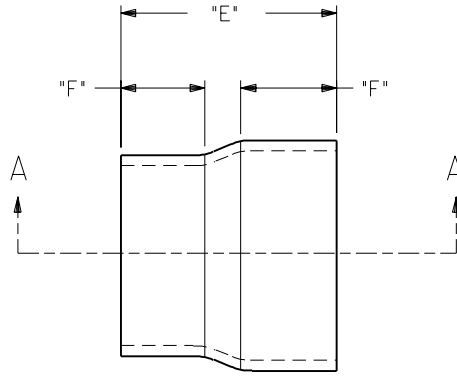
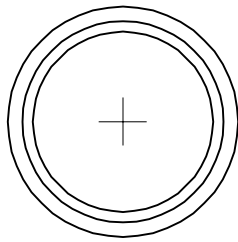
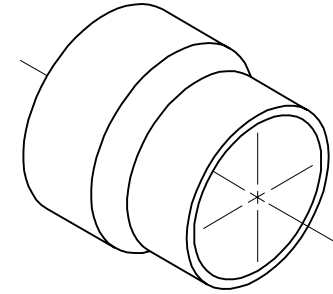


NOTES:

1. MATERIAL: STEEL, ANNEALED, .020±.001 THICK
2. PLATING: .000200 IN. MIN. BRIGHT TIN OVER .000100 IN. MIN. COPPER OVERALL.
3. PRODUCT CONFORMS TO PRODUCT SPECIFICATION PS-71182.
4. PACKAGING: PRODUCT IS BULK PACKAGED



SECTION A-A

PART #	CABLE DIA. RANGE	"C"	"D"	"E"	"F"	USES EMI CAN KIT NUMBER
73772-0001	.246-.321 (6.25-8.16)	.324 (8.23)	.437 (11.10)	.450 (11.43)	.191 (4.85)	71755-1001 88789-9332 88789-9333
73772-0002	.322-.354 (8.17-9.00)	.375 (9.53)	.437 (11.10)	.450 (11.43)	.191 (4.85)	71755-1000 88789-9333
73772-0003	.355-.387 (9.01-9.84)	.392 (9.96)	.505 (12.83)	.565 (14.35)	.235 (5.97)	71755-1000
73772-0004	.388-.420 (9.85-10.67)	.432 (10.97)	.505 (12.83)	.565 (14.35)	.235 (5.97)	71755-1000

ADDED KIT #15  
EC No. LUT2001-0277  
DRAWING: SCHMIDGA 00090905  
CHK: TMCLELL 00090906  
APPR: FNELSON 00090907

QUALITY SYMBOLS  
MAJOR  
CRITICAL  
DRAFT WHERE APPLICABLE MUST REMAIN WITHIN DIMENSIONS

GENERAL TOLERANCES: (UNLESS SPECIFIED)  
4 PLACES ±0.005  
3 PLACES ±0.010  
2 PLACES ±0.020  
1 PLACE ±0.050  
ANGULAR: ± 1/2°

SCALE 5 : 1  
DESIGN UNITS  
DRAWN BY & DATE  
CHECKED BY & DATE  
APPROVED BY & DATE  
CAD FILENAME  
73772S1.DGN

DIMENSIONS:  
THIRD ANGLE PROJECTION  
TITLE: MICROCROSS, P&D AND DVI CRIMP FERRULES SALES DRAWING  
MATERIAL NO. SEE CHART  
DRAWING NO. SD-73772-000  
SHEET NO. 1 OF 1  
SIZE C