

SPECIFICATIONS:

ELECTRICAL:

INSULATOR RESISTANCE: 5 GOHMS Min.
 DIELECTRIC WITHSTANDING: 1,000 VAC for 1 MINUTE
 OPERATING TEMPERATURE: -55° C ~ +155° C
 CONTACT RESISTANCE: 1.0 mOHMS Max.
 POWER PINS: SEE PART No. BELOW
 SIGNAL PINS: 5 AMPS

MECHANICAL:

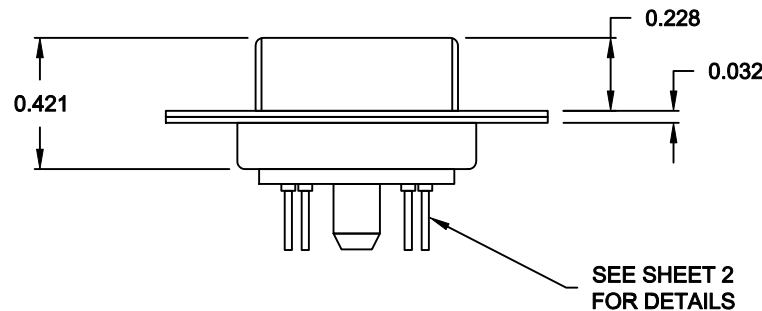
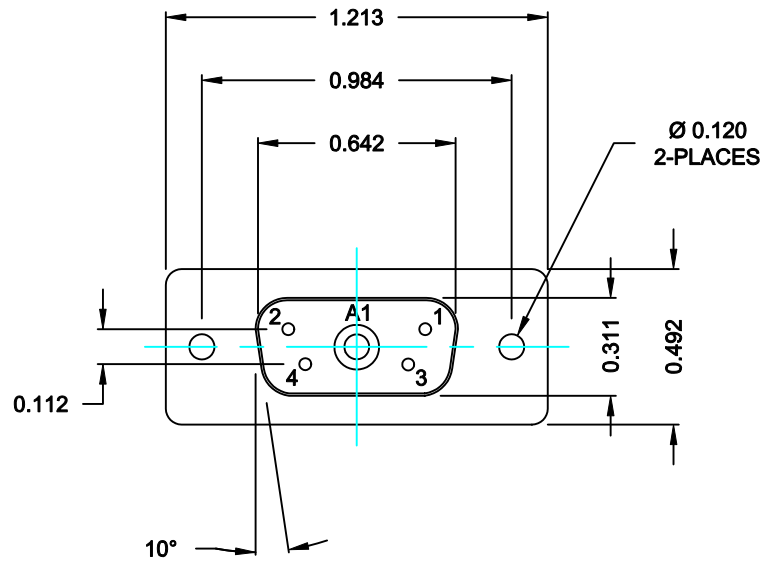
CONTACT INSERTION FORCE: 4.5 Kg Max.
 CONTACT SEPARATOR FORCE: 0.3Kg Min.

MATERIALS:

CONTACTS: COPPER ALLOY
 INSULATOR: PBT UL94V-0 RATED, BLACK
 230°C PROCESS TEMP.
 SHELL: STEEL
 SEAL: F04 FLEXIBLE ADHESIVE

FINISH:

SHELL: NICKEL
 CONTACTS: FULL GOLD FLASH




681S5W1203L001

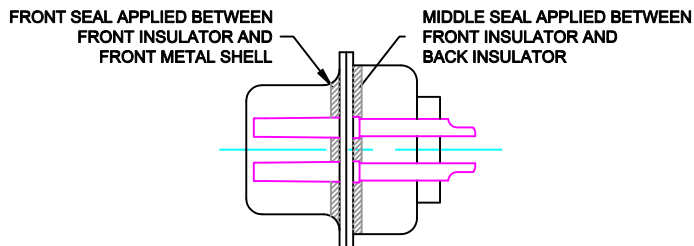
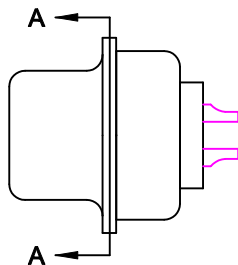
00 = 20 / 40 AMPS

MEETS IP67 STANDARDS

(SEE PAGE 2 FOR SEALING DETAILS)

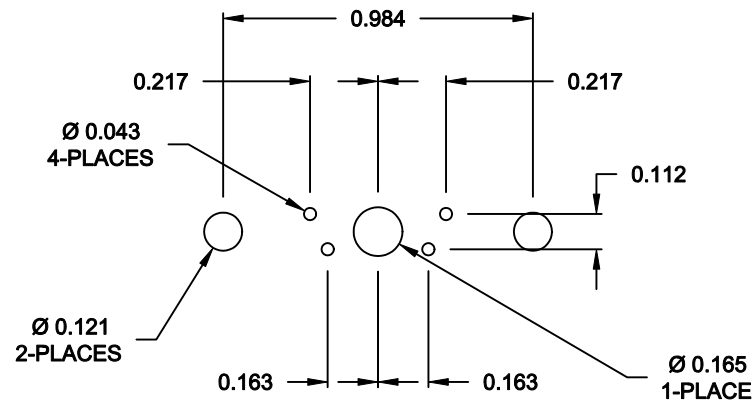
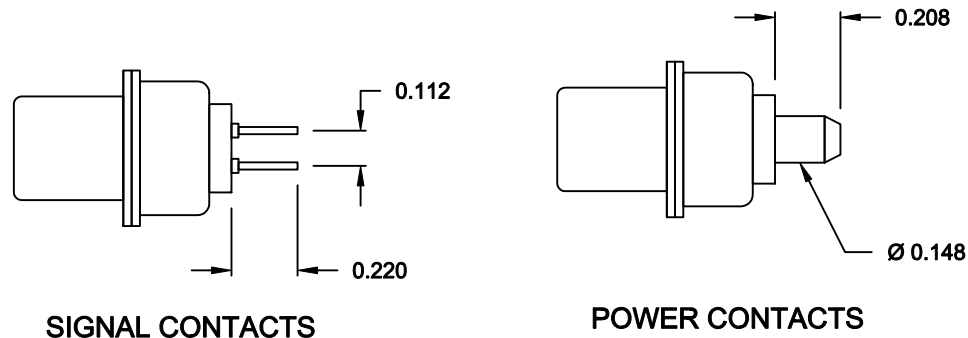
RoHS COMPLIANT

	THESE DRAWINGS AND SPECIFICATIONS ARE THE PROPERTY OF NorComp AND SHALL NOT BE REPRODUCED, COPIED OR USED AS THE BASIS FOR THE MANUFACTURE OF SALE OF APPARATUS WITHOUT WRITTEN PERMISSION.		DRAWN: M. SIGMON	DATE: 06-11-13
			CHECKED: X	DATE: X
<h1>NorComp</h1>		SCALE: N.T.S.	SHEET 1 OF 2	REV 0
		DWG NO. 681S5W1203L001		



DETAIL A-A
SHOWN FOR REFERENCE ONLY

NOTE:
SIGNAL AND POWER CONTACTS
COME PRE-LOADED INTO INSULATORS



RECOMMENDED PCB LAYOUT

RoHS COMPLIANT



THESE DRAWINGS AND SPECIFICATIONS ARE THE PROPERTY OF NorComp AND SHALL NOT BE REPRODUCED, COPIED OR USED AS THE BASIS FOR THE MANUFACTURE OF SALE OF APPARATUS WITHOUT WRITTEN PERMISSION.

DRAWN: M. SIGMON	DATE: 06-11-13
CHECKED: X	DATE: X
SCALE: N.T.S.	SHEET 2 OF 2
DWG NO.	REV 0

NorComp

681S5W1203L001