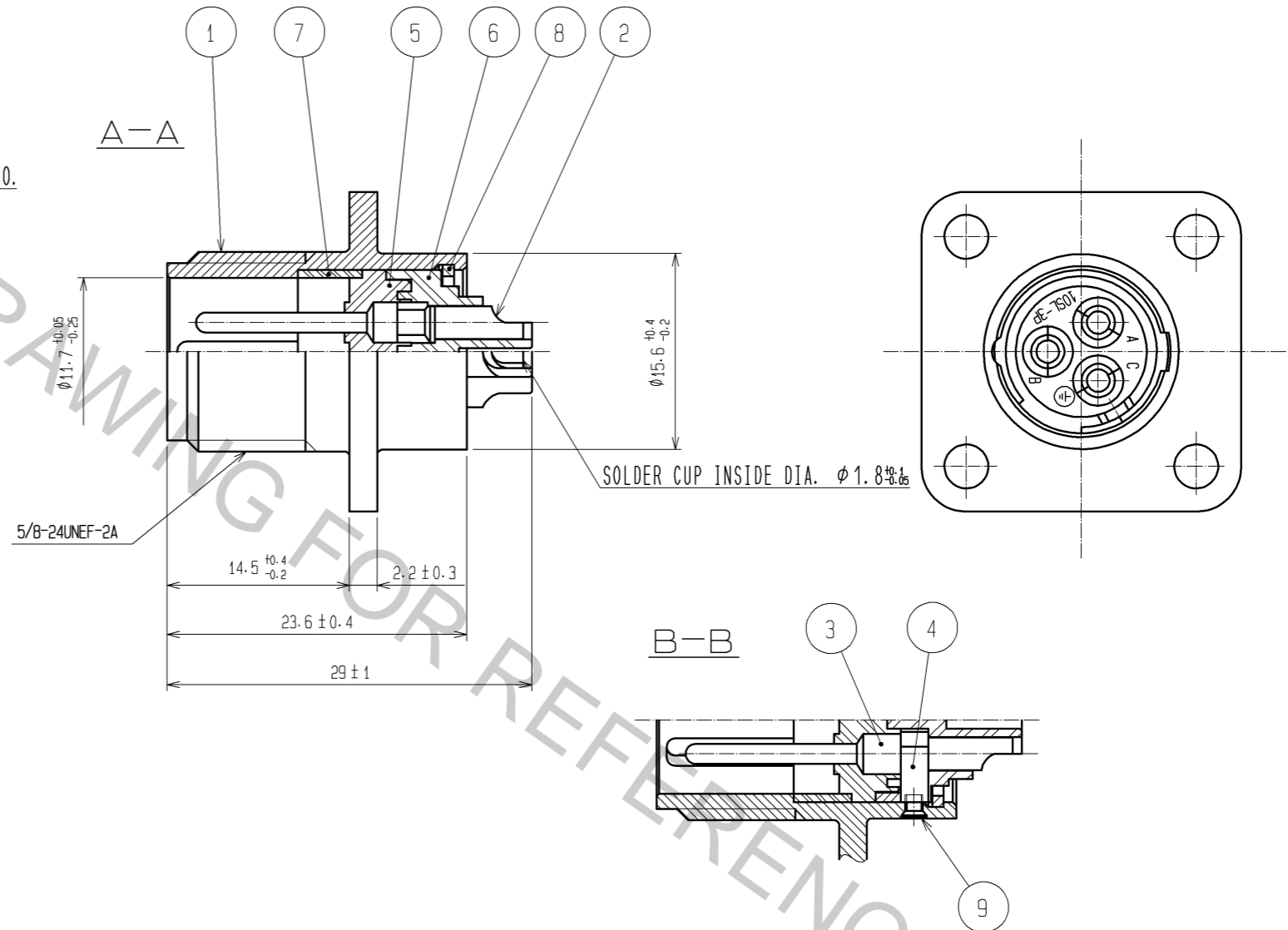
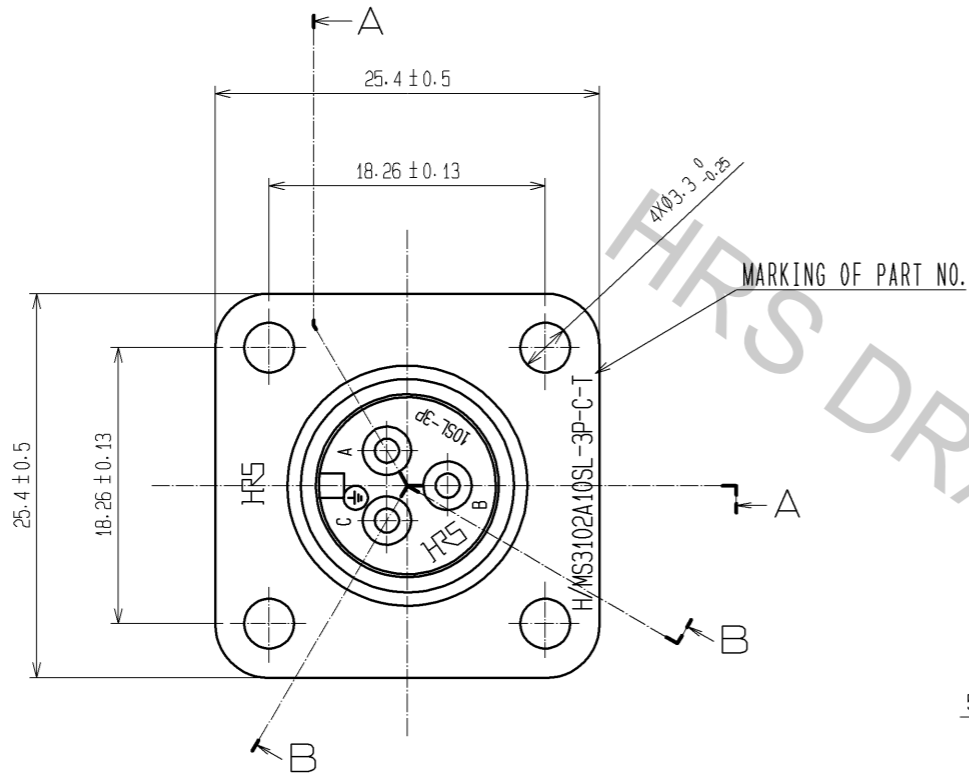


Aug.1.2018 Copyright 2018 HIROSE ELECTRIC CO., LTD. All Rights Reserved.
 In case that the application demands a high level of reliability, such as automotive,
 please contact a company representative for further information.



5	SIR	(BLACK)			
4	PHOSPHOR BRONZE	SILVER PLATING	9	BRASS	NICKEL PLATING
3	BRASS	SILVER PLATING 2 μm min.	8	PHOSPHOR BRONZE	NICKEL PLATING
2	BRASS	SILVER PLATING 2 μm min.	7	PBT	(BLACK) UL94V-0
1	ALUMINUM ALLOY	ZINC PLATING (BLACK CHROMATE TREATMENT)	6	PPS	(BLACK) UL94V-0
NO.	MATERIAL	FINISH . REMARKS	NO.	MATERIAL	FINISH . REMARKS
UNITS mm		SCALE 2 : 1	COUNT 	DESCRIPTION OF REVISIONS	DESIGNED
HRS HIROSE ELECTRIC CO., LTD.	APPROVED : SU. OBARA	10.02.16	DRAWING NO.	EDC3-110223-73	
	CHECKED : HY. KISHI	10.02.16	PART NO.	H/MS3102A10SL-3P-C-T(73)	
	DESIGNED : TH. KAMEYA	10.02.16	CODE NO.	CL120-0231-6-73	
	DRAWN : YS. SAKODA	10.02.13			