

SAMD21 Mini Breakout (DEV-13664)

Arduino Zero compatible



Name	Interrupts	A
Power	Serial	
GND	Serial Com	C/D
Control	Timer	E/F
Arduino	PTC	B
Port	Misc	G/H
DAC	ADC	B
PWM pins marked with ~		

TC - Timer Counter
 TCC - Timer Counter - Controller
 PTC - Peripheral Touch Controller
 NMI - External Non-Maskable Interrupt
 Pin can only be A,B,C,D,E,F,G or H at any time
 Selecting B disables digital control

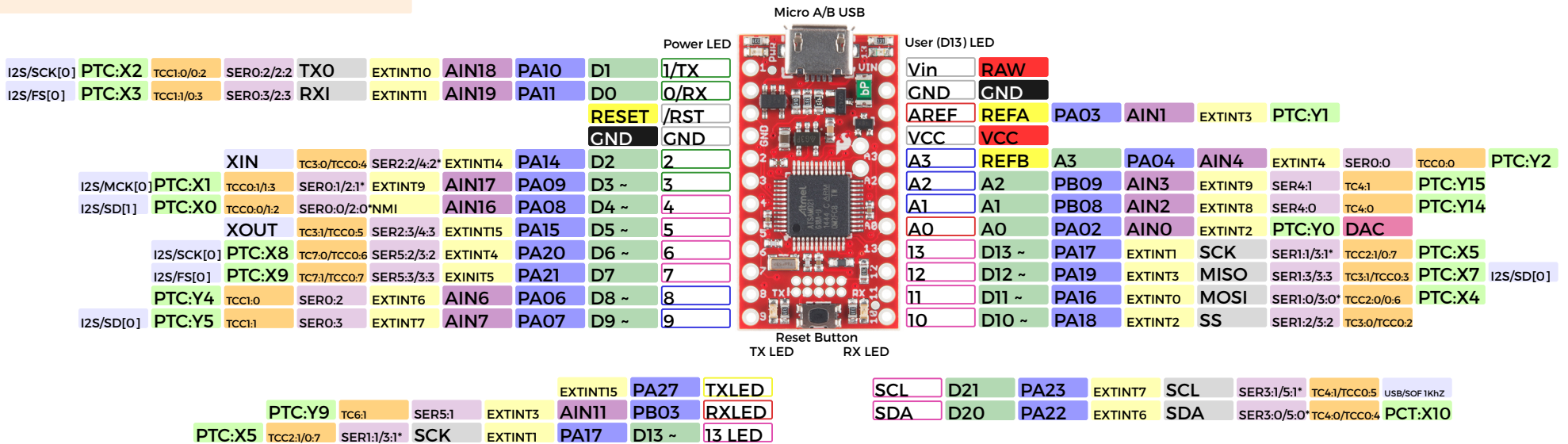
LEDs

Power: Red
 D13 (PIN_LED_13): Blue
 TX (PIN_LED_TXL): Green
 RX (PIN_LED_RXL): Yellow

Programming Header

- VCC 3.3V
- SWDIO/TMS
- GND
- SWDCLK/TCK
- GND
- SWO/TDO
- Key 
- NC/TDI 
- GNDDTCT
- Nreset

SJ1 - on back of board
 disconnect to disconnect power LED

Power

RAW: 3.5V-6.0V
 VCC: 600mA @3.3V
 Each pin is 3.3V tolerant and can source/sink no more than 7mA/10mA
 Each cluster of I/O pins can source 46mA and sink 65mA. Clusters are defined as **Yellow**, **Pink**, **Green**, **Blue**, and **Red** outlines.

SamD21G18

VCC: 1.62-3.63V
 Arm Cortex-M0 + (32-bit)
 Flash Memory: 256KB
 SRAM: 32KB
 ADC: 12-bit
 48MHz
 RTC
 USB 2.1 with USB host capability

Serial

USB: SerialUSB
 Hardware Serial: Serial1
 Only Ports with * can be configured to do I2C
 USB host: Set PIN_USB_HOST_ENABLE high

