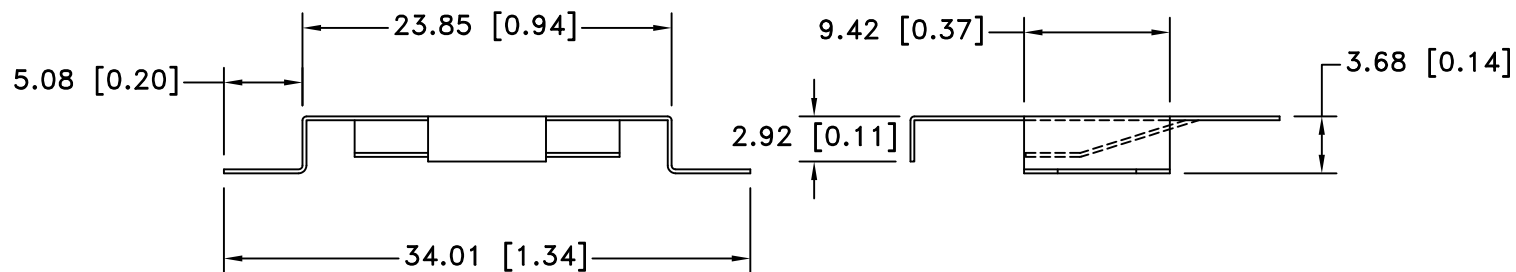
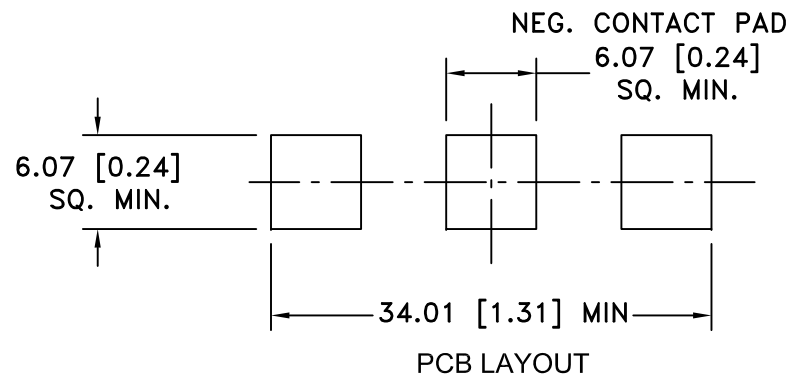
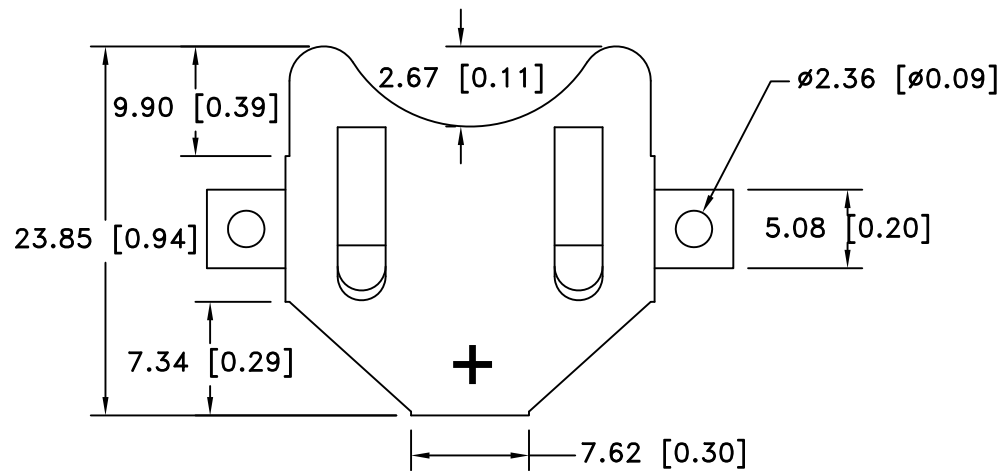



Date	SYM	REVISION RECORD	AUTH	DR.	CK.
1/07/06	A	ADDED "ROHS COMPLIANT"	T.B.	B.S.	
2/04/06	B	ADDED CHAMFERS	T.B.	B.S.	
10/10/08	C	UPDATED PCB LAYOUT	T.B.	B.S.	
12/02/11	D	ADDED DIM. 2.67, 9.90, 7.34 AND 7.62	T.B.	B.S.	



NOTES:

- MATERIAL:
0.25mm PHOSPHOR BRONZE, NICKLE PLTD.
- ROHS COMPLIANT

Tolerance (Except as noted)	 Memory Protection Devices, Inc 200 Broad Hollow Road, Farmingdale, New York 11735		
decimal ±.5 (.020)	Scale	Drawn By B.S.	
Fractional ± .8 (.030)	Title	Approved By T.B.	
Angular ± 3°	Date	Drawing Number	
	12/02/11	BK-884	

CELL SIZE	RETAINS BATTERY NUMBERS
23mm	BR2320, CL2320, CR2320, BR2325, CR2325, DL2325, BR2330, CL2330