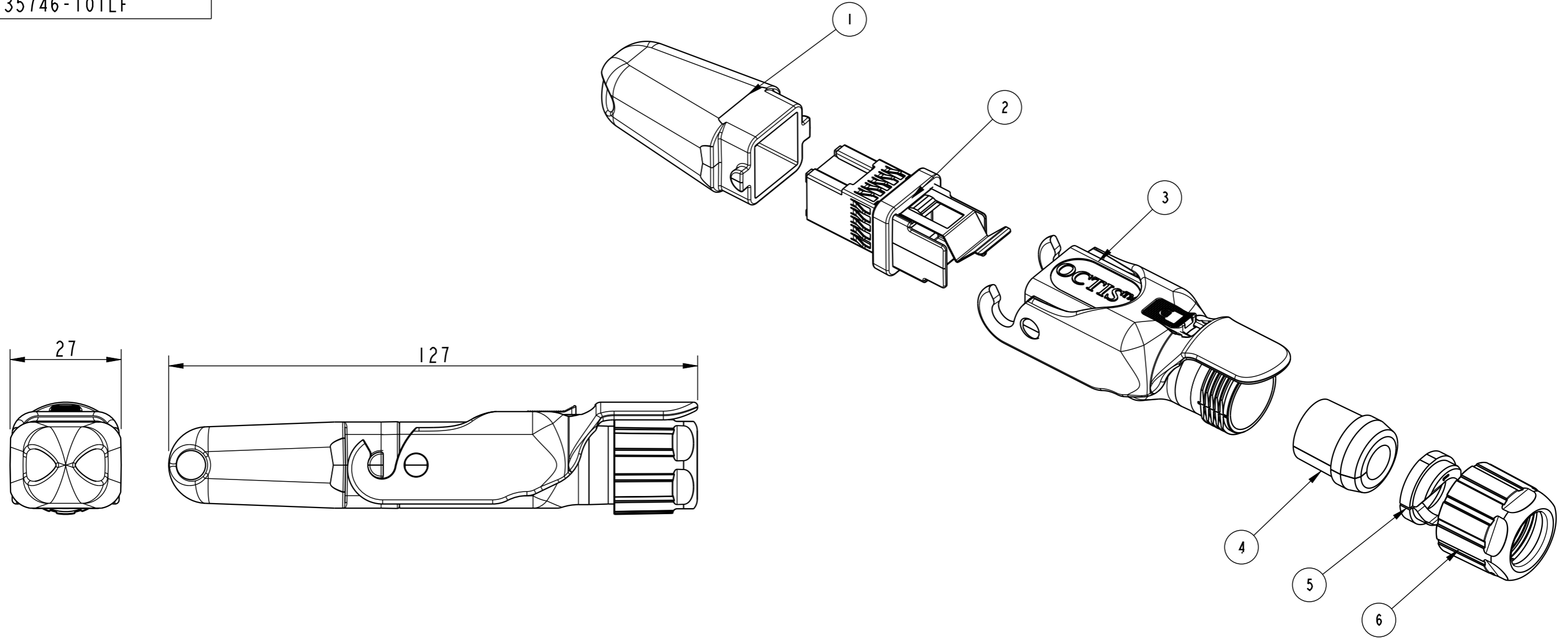
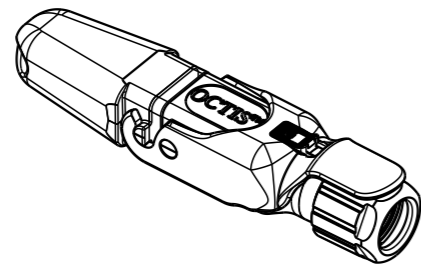


PLUG KIT PART NUMBER
10135746-101LF

OCTIS PLUG KIT SFP/SFP + TRANSCEIVER, FIELD TERMINABLE, PITCH 26MM



SL NO.	COMPONENT	MATERIALS	REMARKS
1	PLUG CAP	PBT GF	-
2	HOLDER SUBSET KIT	ZAMAK	PASSIVATED
3	HOUSING SUBSET KIT	PBT GF	-
4	SPLIT RUBBER GLAND	NBR	-
5	TIGHTENING CONE	PA	-
6	GLAND NUT	PBT GF	COLOUR-BLUE



spec ref		dr	BONEY THOMAS	2017-12-18	projection	mm	size	A3	scale	3:10
tolerance std		eng	S.ALOSIOUS	2017-12-18			ecn no	ELX-28825		
TOLERANCES UNLESS OTHERWISE SPECIFIED		chr	S.ALOSIOUS	2017-12-18	product family	rel level	RELEASED			
		appr	BIJU K PAUL	2017-12-18						
surface	linear	0.X	±0.3	Amphenol FCi	OCTIS PLUG KIT, SFP/SFP+ TRANSCEIVER FIELD TERMINABLE, PITCH 26 MM	dwg no	10135746		rev F	
		0.XX	±0.13							
0.XXX	±0.05									
ISO 1302	angular	0°	±2°	cat. no.	Product-Customer Drw	sheet 1 of 2				

A

B

C

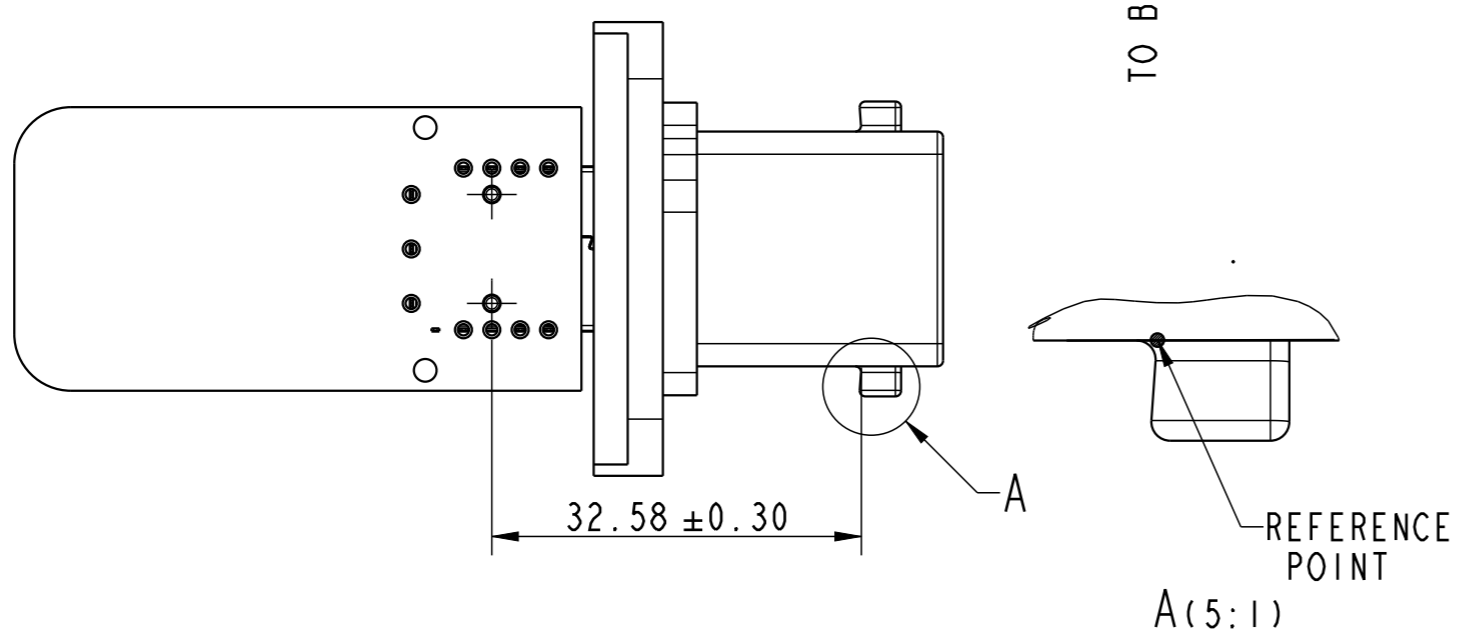
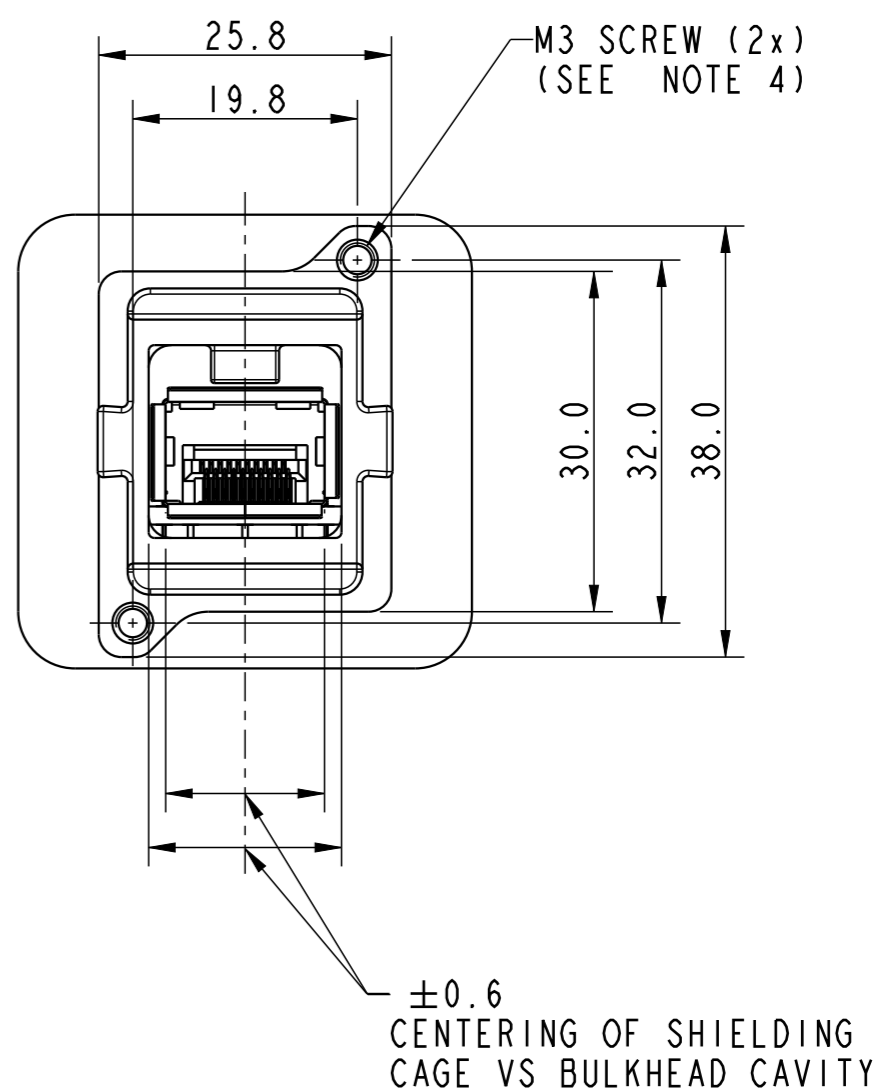
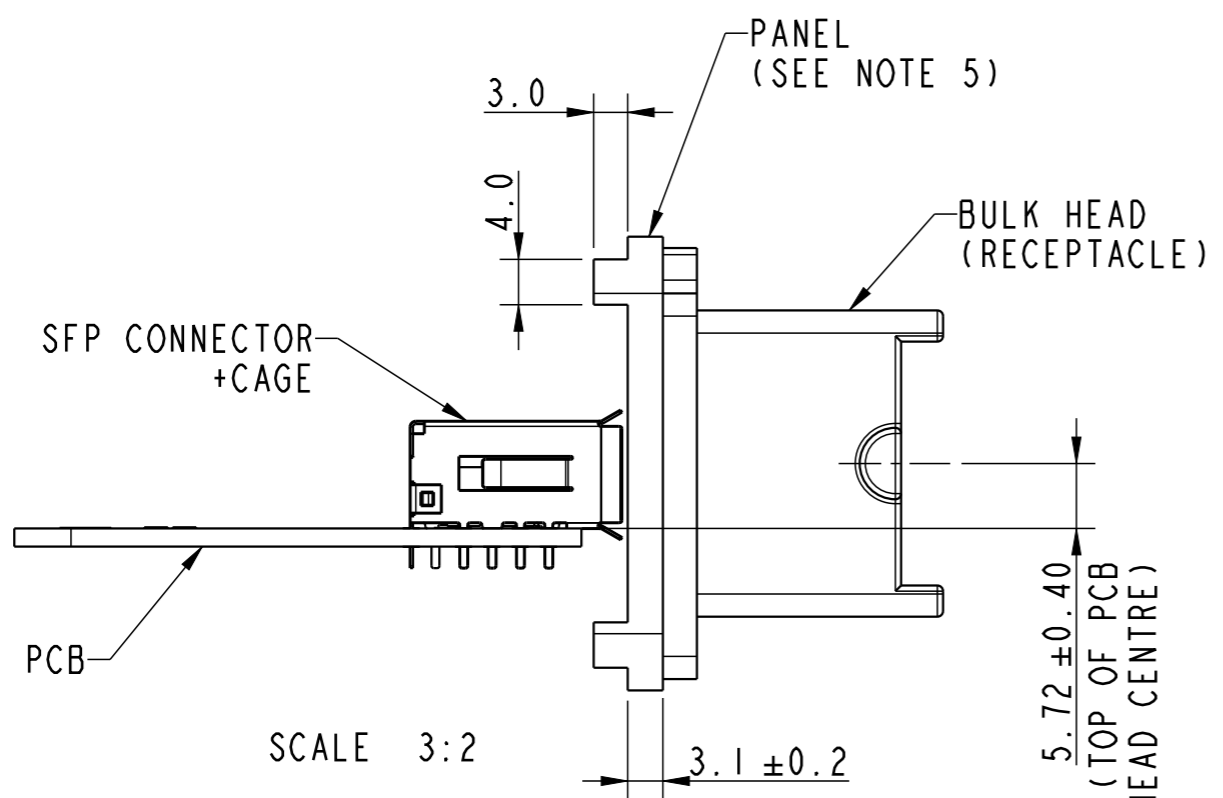
D

A

B

C

D



BOARD CONNECTOR WITH BULK HEAD (RECEPTACLE) DETAILS

NOTES:

1. BOARD CONNECTOR SHOWN IS FOR REFERENCE PURPOSE. REFER DRAWING 10122424 FOR BOARD CONNECTOR DETAILS
2. REFER DRAWING 10133694 FOR CAGE DETAILS
3. REFER DRAWING 10138458 FOR BULK HEAD (RECEPTACLE) DETAILS
4. SCREWS TO BE USED ARE M3 X 6MM; MATERIAL-STAINLESS STEEL
5. CASTED MOUNTING PANEL SHOULD HAVE ON ITS REAR SIDE AN INTEGRAL RECTANGULAR REINFORCED RIBS OF 3MM THICKNESS AND 4MM WIDTH ALONG THE MOUNTING SCREW PLANE AT THE TOP AND BOTTOM TO ACCOMODATE THE BLIND INTERNAL SCREW THREAD

Amphenol FCI

© 2016 AFCI

spec ref		dr	BONEY THOMAS	2017-12-18	projection	mm	size	A3	scale	1:1
tolerance std		eng	S.ALOSIOUS	2017-12-18			ecn no	ELX-28825		
TOLERANCES UNLESS OTHERWISE SPECIFIED		chr	S.ALOSIOUS	2017-12-18	product family	-	rel level	RELEASED		
		appr	BIJU K PAUL	2017-12-18			cat. no.	-	Product-Customer Drw	sheet 2 of 2
surface	linear	0.X	±0.3	Amphenol FCI	OCTIS PLUG KIT, SFP/SFP+ TRANSCEIVER	-	dwg no	10135746	rev	F
		0.XX	±0.13							
		0.XXX	±0.05							
ISO 1302	angular	0°	±2°							