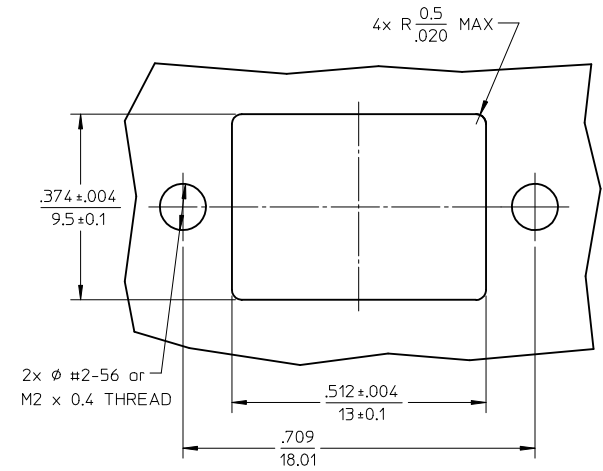
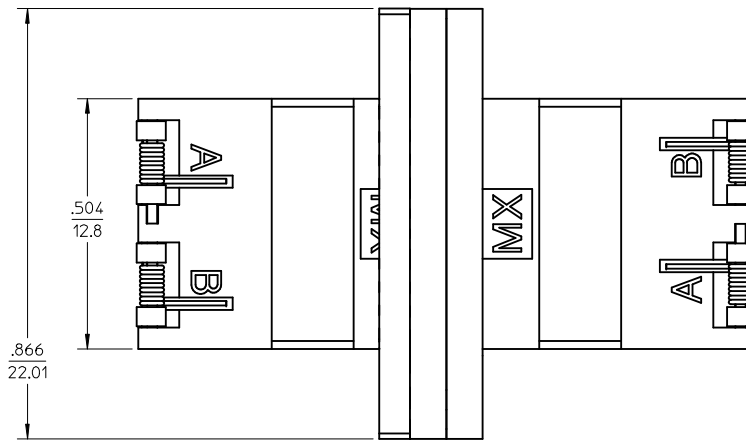
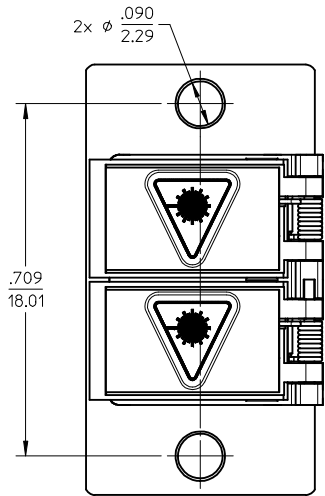
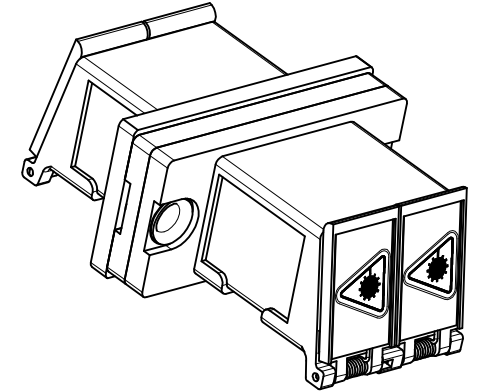
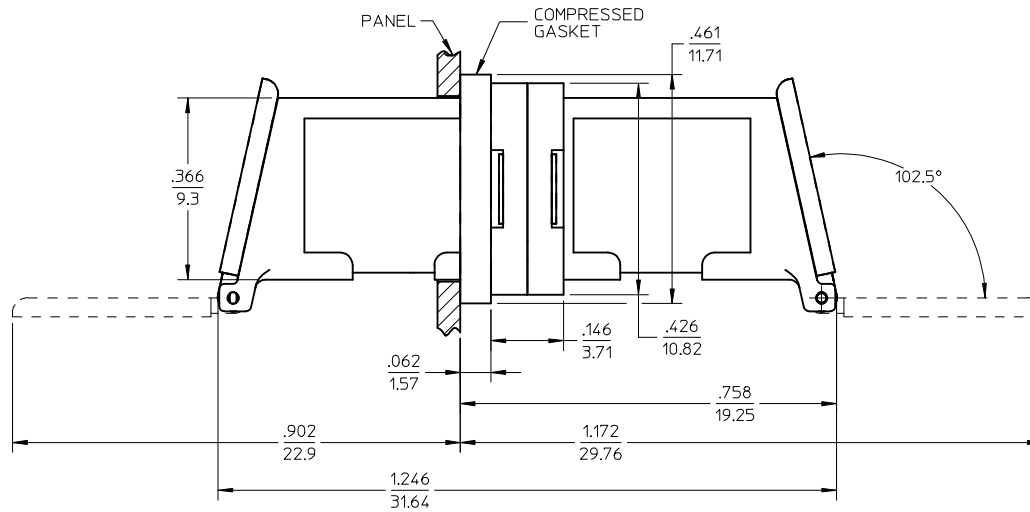


ADAPTER P/N	SPLIT SLEEVE MATERIAL
106115-1120	Zr
106115-1126	Ph. Bronze



- NOTES:
1. ALL DIMENSIONS ARE FOR REFERENCE ONLY.
 2. CONDUCTIVE SILICONE GASKET WITH FILLER IS SUPPLIED WITH PART.
 3. PART IS DIECAST.
 4. ADAPTERS TO BE PACKAGED IN TRAY.

ENTER DESCRIPTION EC NO: MF2010-0005 DRW: M/PEVZNER CHKD: 2009/07/17 APPR: LGUMIN 2009/07/22 2009/07/23	QUALITY SYMBOLS ▽=0 ▽=0	GENERAL TOLERANCES (UNLESS SPECIFIED) mm INCH 4 PLACES ± --- ± --- 3 PLACES ± --- ± --- 2 PLACES ± --- ± --- 1 PLACE ± --- ± --- ANGULAR ± 1/2°	DIMENSION STYLE IN/MM DRAWN BY PGIBL IN DATE 2005/12/08 CHECKED BY DATE APPROVED BY DATE	SCALE 4:1 DESIGN UNITS INCH THIRD ANGLE PROJECTION
	DRAFT WHERE APPLICABLE MUST REMAIN WITHIN DIMENSIONS		MATERIAL NO. SEE TABLE SIZE B	TITLE LC-D EMI ADAPTER, (SCREW MOUNT,W/SHUTTERS) MOLEX INCORPORATED DOCUMENT NO. SD-106115-112X SHEET NO. 1 OF 1
	THIS DRAWING CONTAINS INFORMATION THAT IS PROPRIETARY TO MOLEX INCORPORATED AND SHOULD NOT BE USED WITHOUT WRITTEN PERMISSION			
	A3			