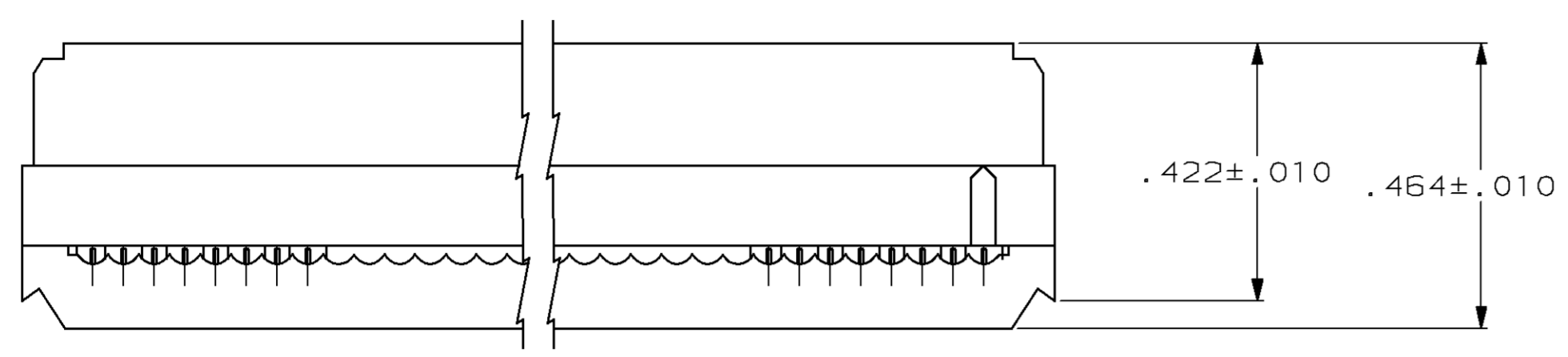


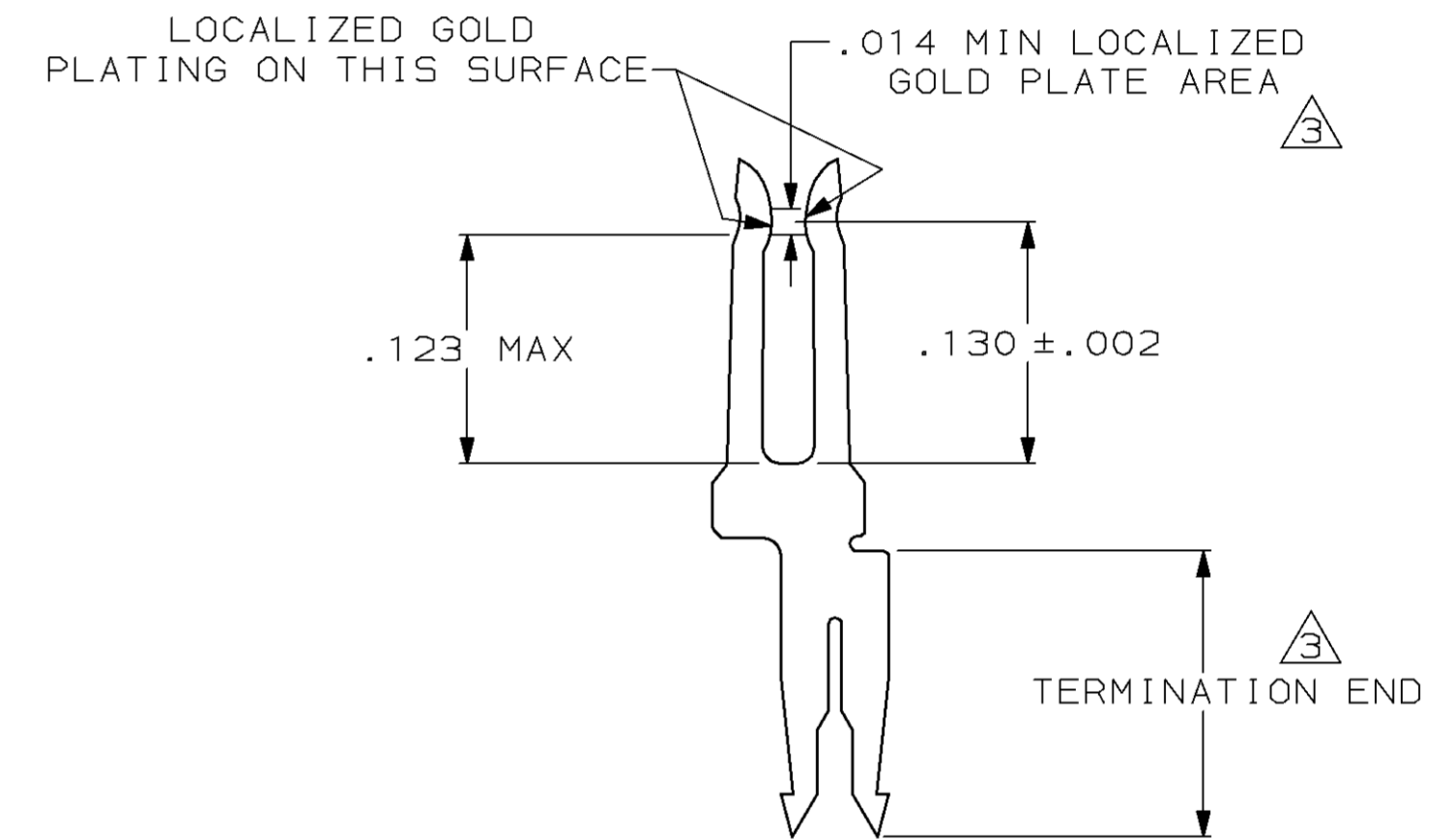
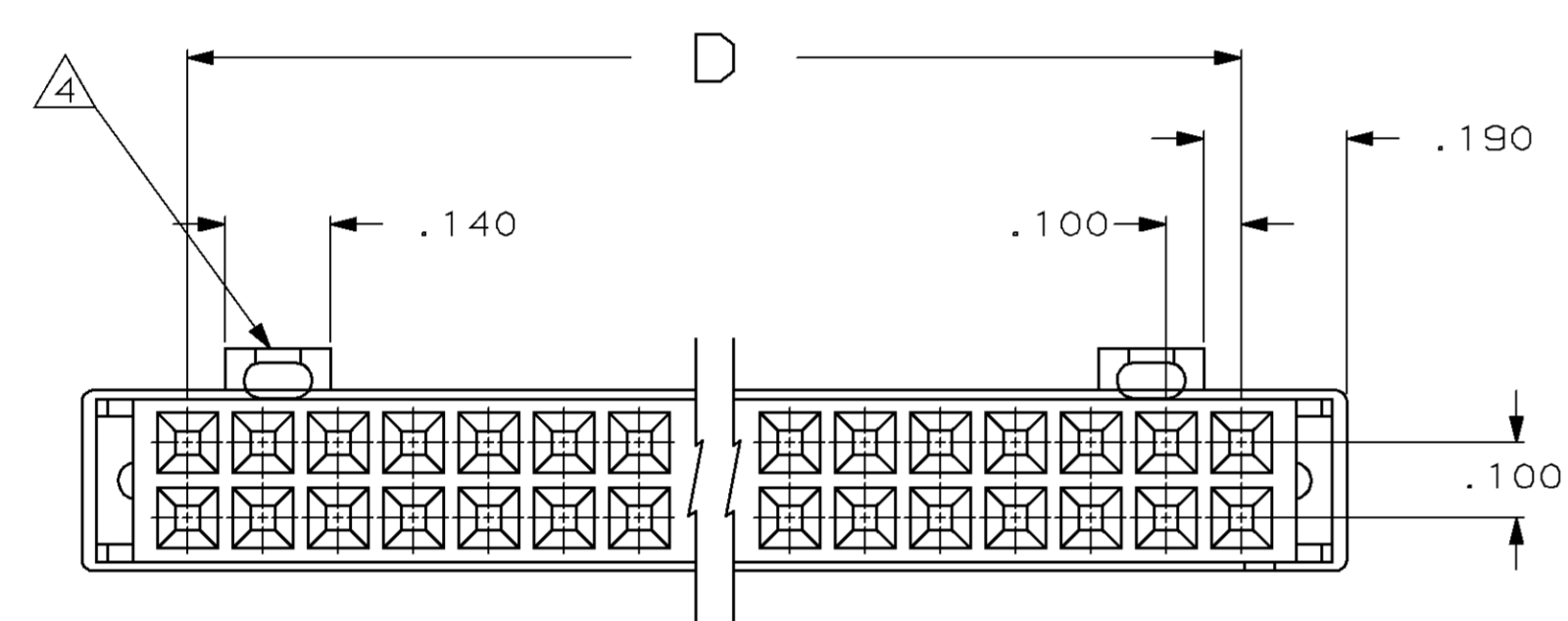
DRAWING MADE IN THIRD ANGLE PROJECTION
 THIS DRAWING IS UNPUBLISHED. RELEASED FOR PUBLICATION
 © COPYRIGHT 19 BY AMP INCORPORATED, HARRISBURG, PA. ALL INTERNATIONAL RIGHTS RESERVED. AMP PRODUCTS MAY BE COVERED BY U.S. AND FOREIGN PATENTS AND/OR PATENTS PENDING.

LOC AR	DIST	P	F	ZONE	LTR	DESCRIPTION	DATE	APPD
	35				A	REV, REDWN PER ECN 0899	-	-
					B	REV PER ECN 1456	11-3-87	J.P.
					C	REVSD/ECN CF-1706	07/88	DM
					D	REV PER ECN CF1807	JPG	5-5-89
					E	REV PER ECN BD4386		12-8-90
					F	REV PER EC 0020-1041-93		12/10/93
					G	OBSOLETE -11	21 AUG 97	JGH
						PER EC 0410-197-96		

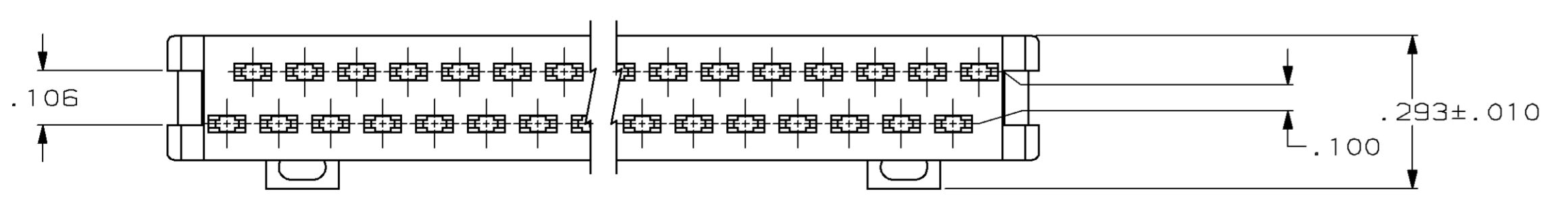
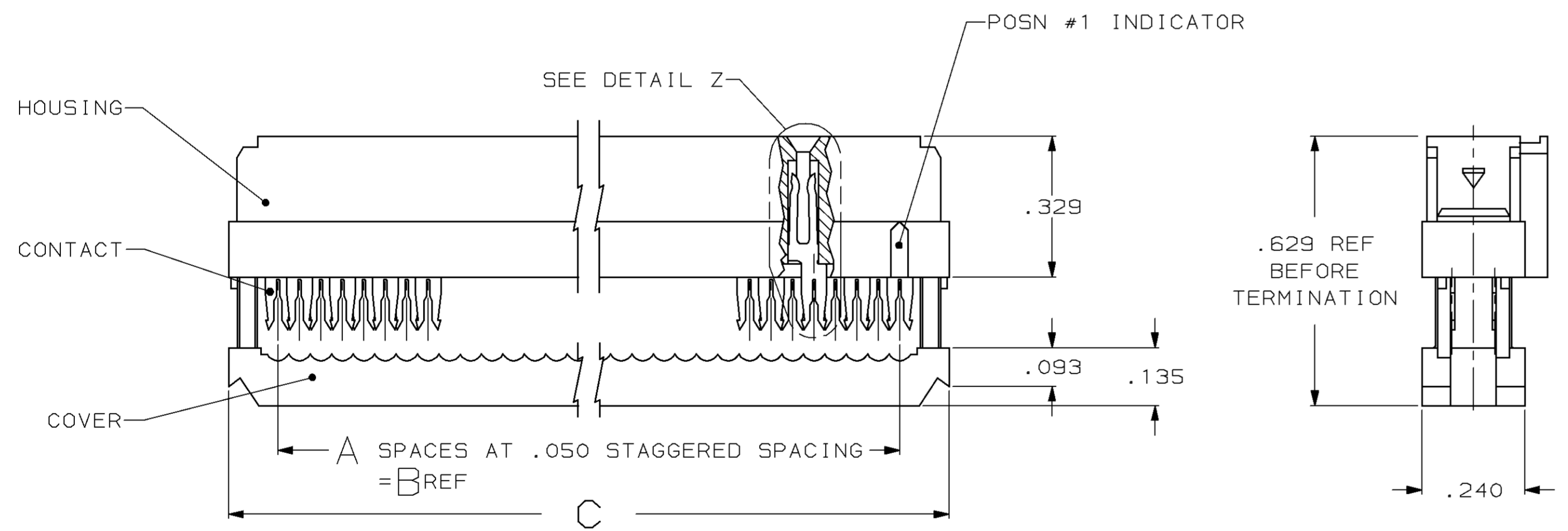
- ① UL RATED 94V-0 THERMOPLASTIC, COLOR: BLACK.
- ② PHOSPHOR BRONZE PER QQ-B-750.
- ③ PLATED WITH .000030 GOLD ON LOCALIZED GOLD PLATE AREA, .000100 - .000200 BRIGHT TIN LEAD ON TERMINATION END, ALL OVER .000050 NICKEL ON ENTIRE CONTACT.
- ④ POLARIZING FEATURE DOES NOT EXIST ON END OPPOSITE THE POSN #1 INDICATOR ON 10 POSN PRODUCT.



TERMINATED VIEW



DETAIL Z
SCALE 10:1
TYPICAL



	2.100	2.380	2.150	43	44	1-	746292	-3
	3.100	3.380	3.150	63	64	1-		-2
	2.900	3.180	2.950	59	60	1-		-1
OBSOLETE	2.400	2.680	2.450	49	50	1-		-0
	1.900	2.180	1.950	39	40			-9
	1.600	1.880	1.650	33	34			-8
	1.400	1.680	1.450	29	30			-7
	1.200	1.480	1.250	25	26			-6
	1.100	1.380	1.150	23	24			-5
	.900	1.180	.950	19	20			-4
	.700	.980	.750	15	16			-3
	.600	.880	.650	13	14			-2
	.400	.680	.450	9	10		746292	-1
	D	C	B	A	NO OF POSN		PART NUMBER	

UNLESS OTHERWISE SPECIFIED DIMENSIONS ARE IN INCHES TOLERANCES ON:	DR J. PEACHEY 2-19-86	AMP INCORPORATED Harrisburg, Pa. 17105
2 PL DEC ± .005	CHK JAY SAUDER 3-18-86	
3 PL DEC ± .005	APPD JAY SAUDER 3-18-86	NAME RECEPTACLE KIT, AMP-LATCH NOVO, DUAL BAR PLZN, 30 GOLD DUPLX CONTACTS, W/O STRAIN RLF
ANGLES ± .005	APPD D. HOFFMAN 3-18-86	
MATERIAL	PRODUCT SPEC 108-40000	SIZE D
MOLDED PARTS: ①	APPLICATION SPEC 114-40005	FSCM NO 00779
CONTACTS: ②	WEIGHT -	DRAWING NO 746292
CONTACTS: ③		SCALE 4:1
		SHEET 1 of 1