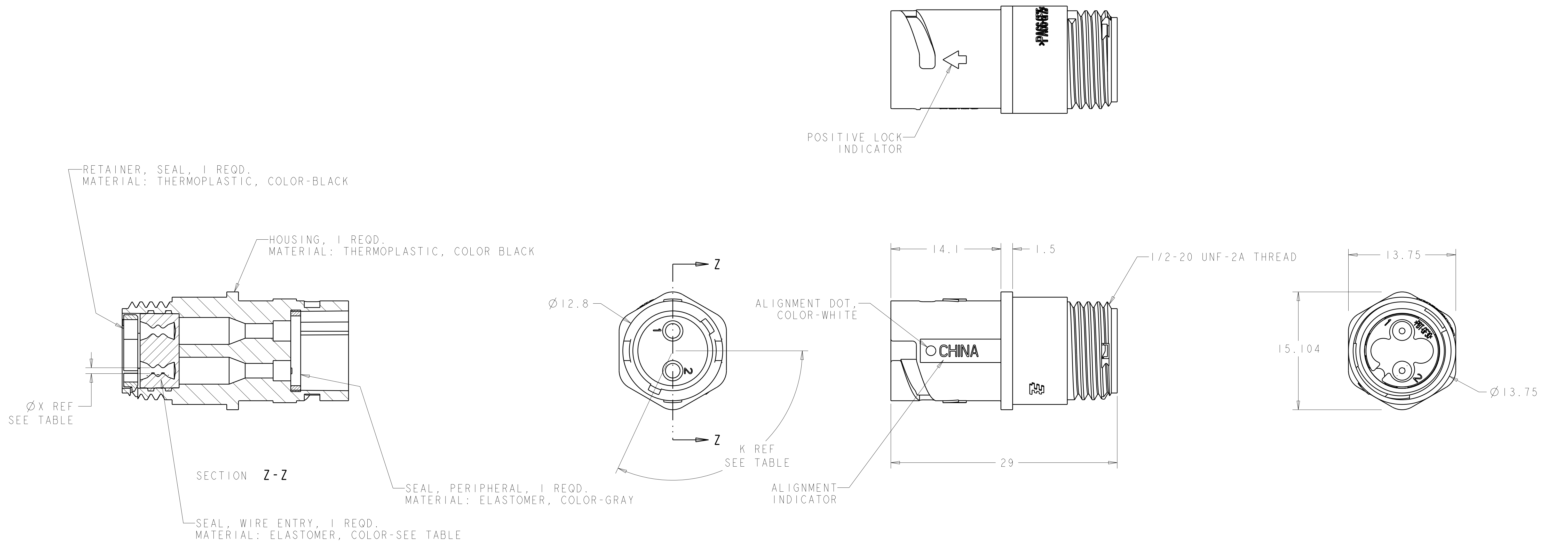


LOC		DIST		REVISIONS			
FT	0	P	LTR	DESCRIPTION	DATE	DWN	APVD
		B1		REVISED EPR ECO-10-014504	19OCT2010	HMR	MG



**QUALIFICATION TEST PENDING**

YELLOW	Ø 0.75	130°	1445522-04
NATURAL	Ø 1.5	115°	1445522-03
NATURAL	Ø 1.5	130°	1445522-02
YELLOW	Ø 0.75	115°	1445522-01
SEAL, WIRE ENTRY COLOR	ØX REF	K REF	PART NUMBER

<small>THIS DRAWING IS UNPUBLISHED. RELEASED FOR PUBLICATION. ALL RIGHTS RESERVED. THIS DRAWING IS UNPUBLISHED. RELEASED FOR PUBLICATION. ALL RIGHTS RESERVED. THIS DRAWING IS UNPUBLISHED. RELEASED FOR PUBLICATION. ALL RIGHTS RESERVED.</small>		DWN: S. WIEST 02MAY2001 CHK: G. DOUTY 02MAY2001 APVD: H. WAKEEM 12JUN2003	Tyco Electronics Harrisburg, PA 17105-3608
DIMENSIONS: mm 	TOLERANCES UNLESS OTHERWISE SPECIFIED: 0 PLC ±.5 1 PLC ±0.5 2 PLC ±0.13 3 PLC ±0.013 4 PLC ±0.0001 ANGLES ±.1	NAME: ASSEMBLY, RECEPTACLE, SIZE 8, 2 POSITION, FREE HANGING, SEALED, MINI CPC PRODUCT SPEC: - APPLICATION SPEC: - FINISH: - WEIGHT: - CUSTOMER DRAWING	SIZE: A1 CAGE CODE: 00779 DRAWING NO: 1445522 RESTRICTED TO: - SCALE: 4:1 SHEET: 1 OF 1 REV: B1