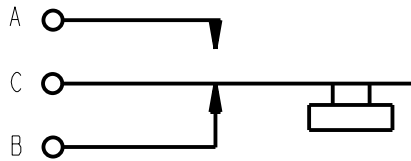


PART NUMBER	BUTTON COLOR
ED903	RED
ED913	BLACK

NOTES:

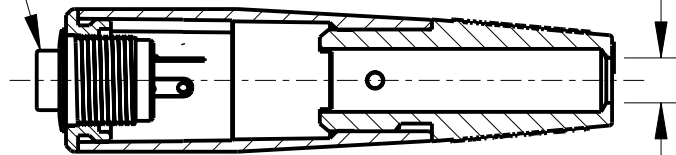
- MATERIALS:
 PUSHBUTTON - THERMOPLASTIC, SEE TABLE FOR COLOR
 SWITCH HOUSING & ADAPTER - BRASS, NICKEL PLATED
 SWITCH TERMINALS - BRASS, SILVER PLATED
 SWITCH SPRING - STAINLESS STEEL
 SWITCH INSULATORS - PHENOLIC
 HANDLE - ZINC ALLOY, NICKEL PLATED
 FLEX RELIEF - THERMOPLASTIC RUBBER, BLACK
 CLAMP PLATES - STAINLESS STEEL
 FLEX RELIEF SCREWS - STEEL, NICKEL PLATED

2. THESE PRODUCTS ARE RoHS COMPLIANT.

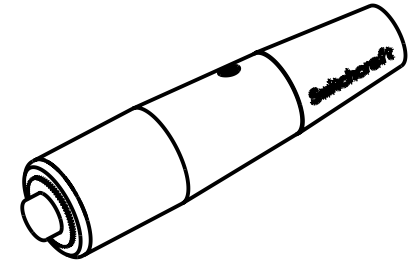


SCHEMATIC

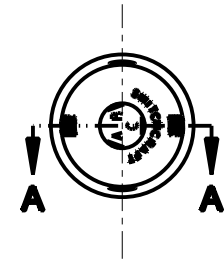
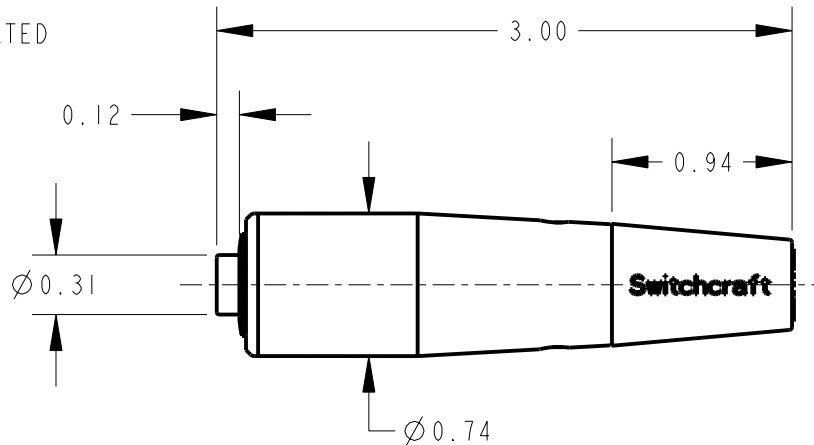
BUTTON COLOR
SEE TABLE



SECTION A-A



Ø0.23
ACCEPTS CABLE
UP TO Ø0.30



CUSTOMER DRAWING

					★ STAR SYMBOL DENOTES CRITICAL DIMENSION	THIS DRAWING DESCRIBES A DESIGN CONSIDERED PROPRIETARY IN NATURE, DEVELOPED AND MANUFACTURED BY SWITCHCRAFT INC. AND IS RELEASED ON A CONFIDENTIAL BASIS FOR IDENTIFICATION PURPOSES ONLY.					
					UNLESS OTHERWISE SPECIFIED	SIZE	WIDTH	MULT	LBS/M	TEMPER	
					1. ALL DIMENSIONS IN INCHES - TWO PLACE DECIMALS ±0.01 - THREE PLACE DECIMALS ±0.005 - ANGLES ±1° - ALL DIA. CONCENTRIC WITHIN 0.005 T.I.R.	FINISH			MATERIAL		
					2. FEATURES ON THE SAME CENTERLINE MUST BE ALIGNED WITHIN ±0.002	SPEC No.			SPEC No.		
					3. REMOVE ALL BURRS	FIRST USED ON			SCALE		Switchcraft®
						DATE DRAWN			1:1		
G	21131	8-21-96	TJK	TJK		11-May-10	WR	JS 11-28-78	RV 11-28-78		
REV	ECO NUMBER	DATE	BY	APVD		NAME			PART No.		REV
REVISIONS					DO NOT SCALE DRAWING	CORD SWITCH, RoHS			ED903 & ED913		G