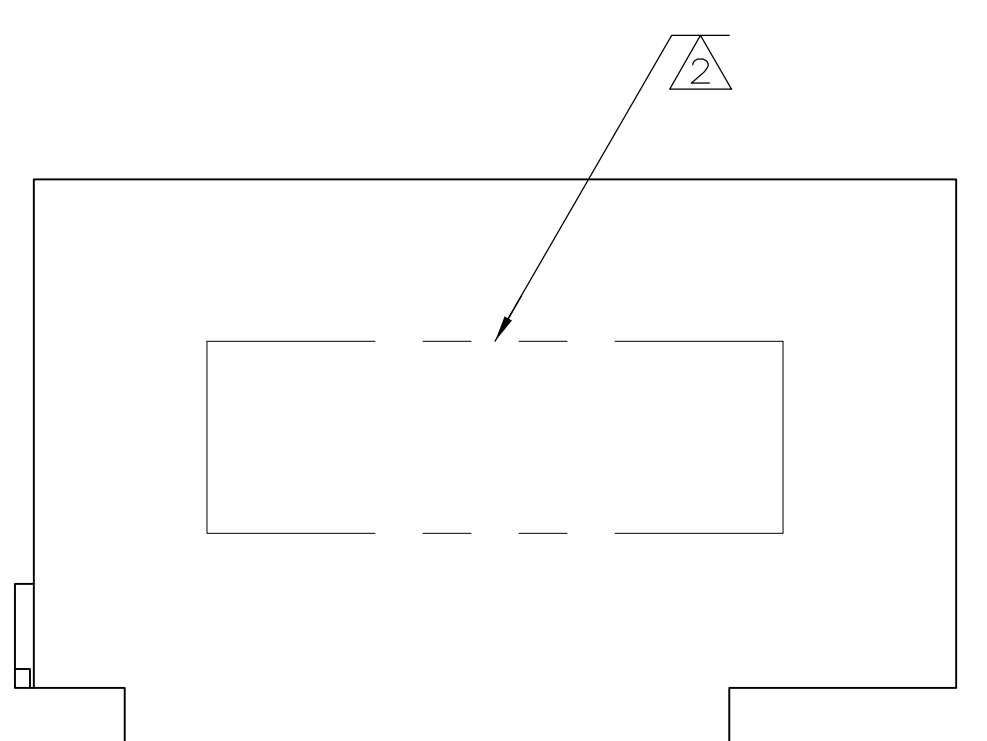
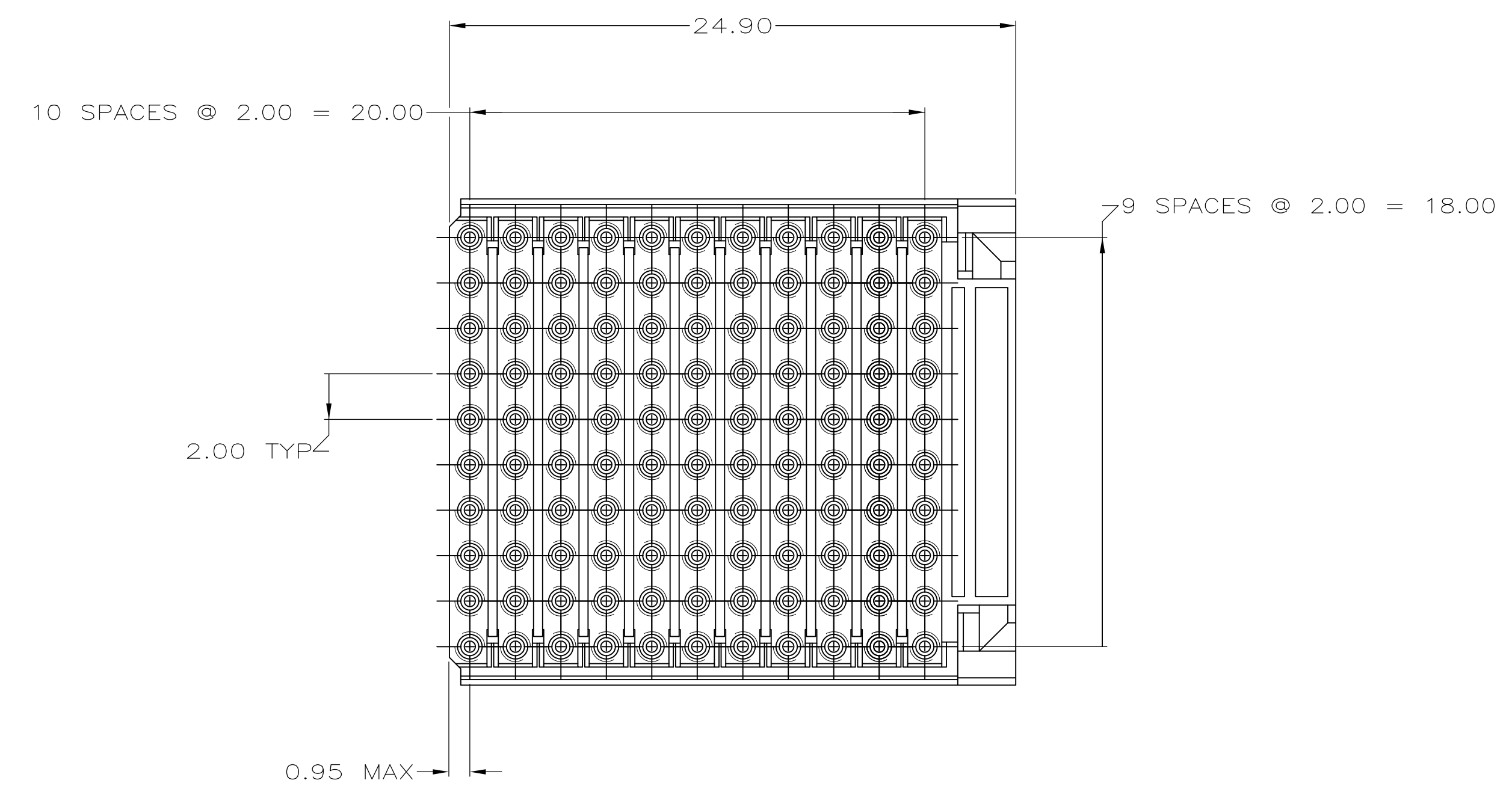
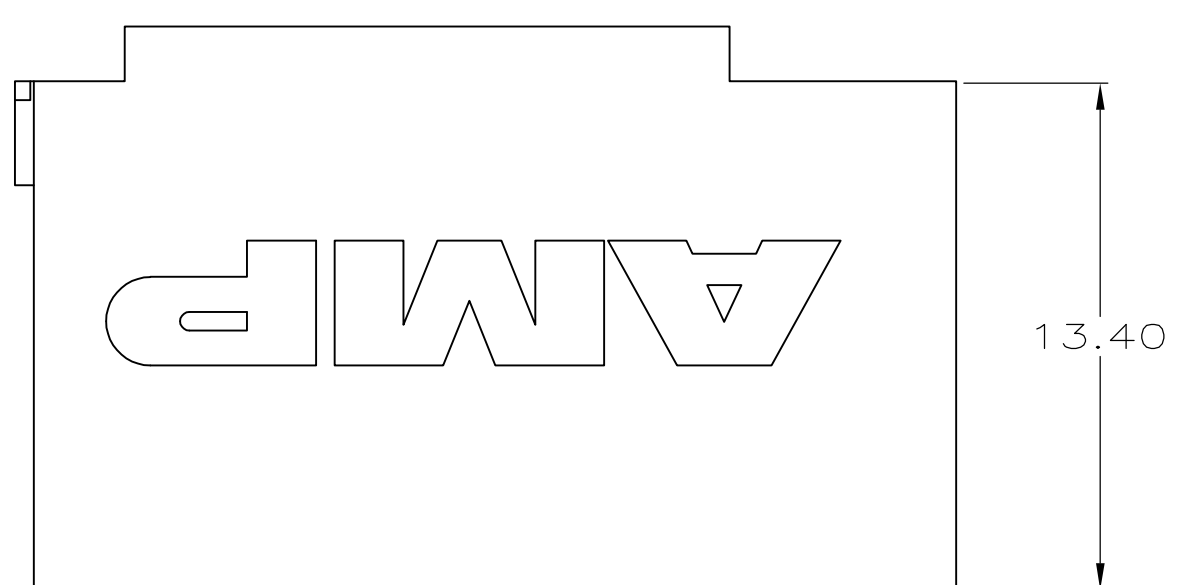
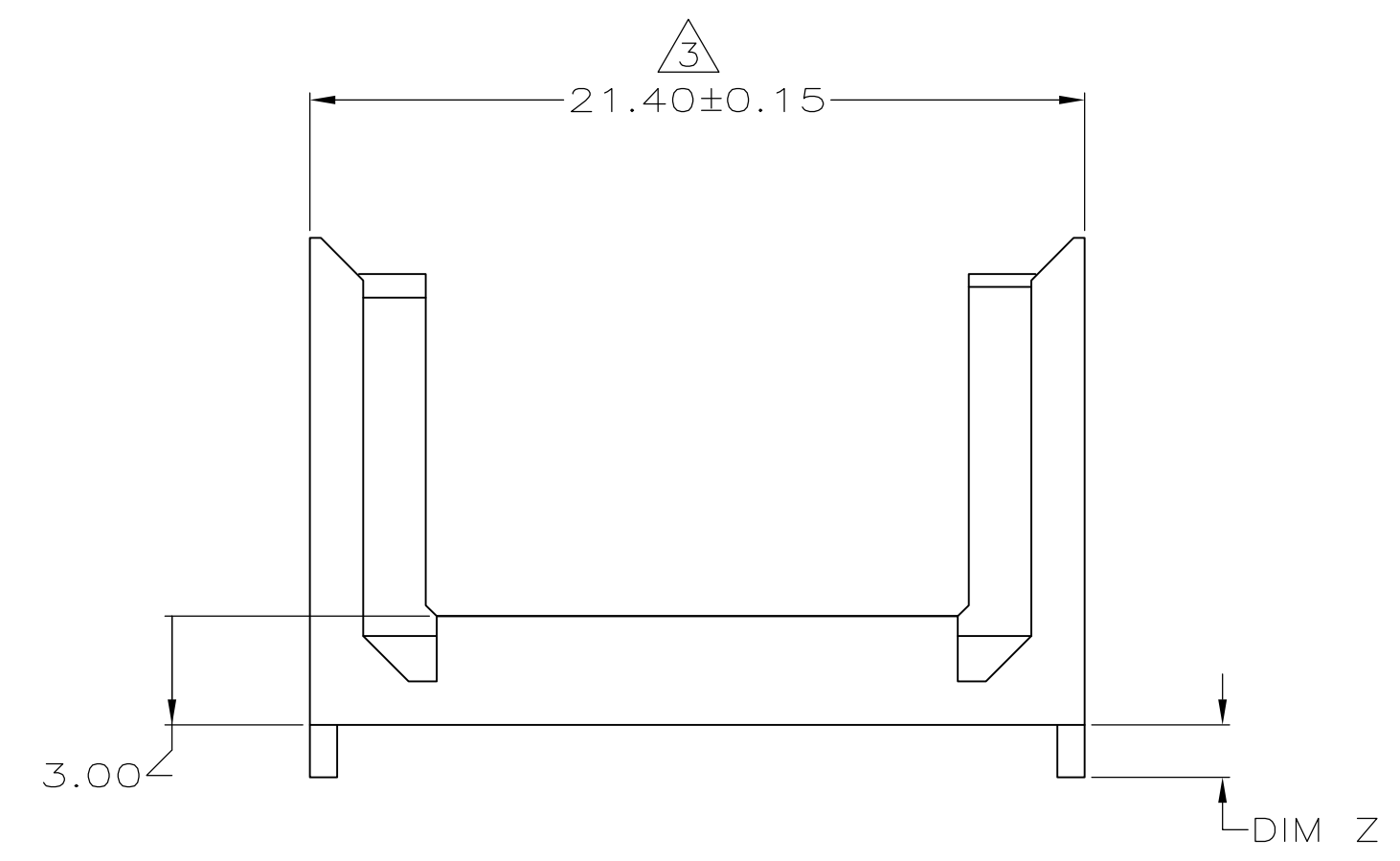


LOC	DIST	REVISIONS			
		REV	DESCRIPTION	DATE	BY
AD	47	C	REVISED PER ECO-07-027626	28NOV07	DH JE
		C1	REVISED PER ECO-10-000443	16JAN10	KK AEG
		D	ECR-10-019054	15SEP10	DP MQW



- 1 MATERIAL: GLASS FILLED POLYESTER.
- 2 PART NUMBER MARKED IN APPROXIMATE AREA SHOWN. ADDITIONAL CHARACTERS OR MARKINGS, AS WELL AS THE LOCATION OF THE MARKINGS, MAY BE ADDED FOR TRACEABILITY BASED UPON MANUFACTURERS DISCRETION.
- 3 TO BE MEASURED AT BASE OF SHROUD.
- 4 OBSOLETE PARTS: OBSOLETE CIS STREAMLINING PER D.RENAUD/D.SINISI



4 OBSOLETE	1.90	646525-7
	1.70	<del>646525-6</del>
4 OBSOLETE	1.50	646525-5
	1.30	646525-4
	1.10	<del>646525-3</del>
	0.90	646525-2
	-	646525-1
	DIM Z	PART NUMBER

THIS DRAWING IS A CONTROLLED DOCUMENT.

DIMENSIONS: mm	TOLERANCES UNLESS OTHERWISE SPECIFIED:	DIN T. SHUEY 2-9-99	2-10-99	Tyco Electronics Corporation Harrisburg, PA 17105-3608
0-PLC ±	1-PLC ±	CHK R. PATTERSON 2-10-99	2-10-99	
2-PLC ±0.05	3-PLC ±	APVD R. PATTERSON 2-10-99	2-10-99	NAME SHROUD, TYPE F,Z-PACK 2mm HM, 8 ROW, 110 POSITION
4-PLC ±	ANGLES ±	PRODUCT SPEC	APPLICATION SPEC	SIZE A1
MATERIAL 1	FINISH -	WEIGHT -	SCALE 5:1	RESTRICTED TO -
		CUSTOMER DRAWING	SHEET 1 OF 1	REV D