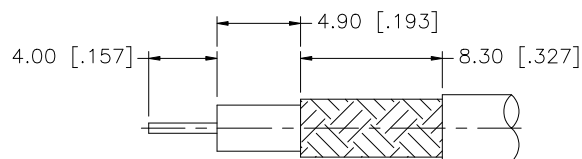
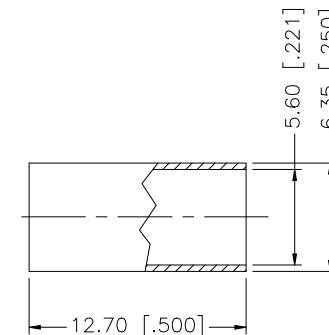
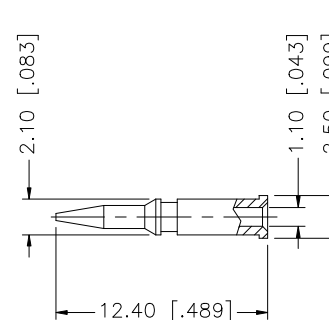
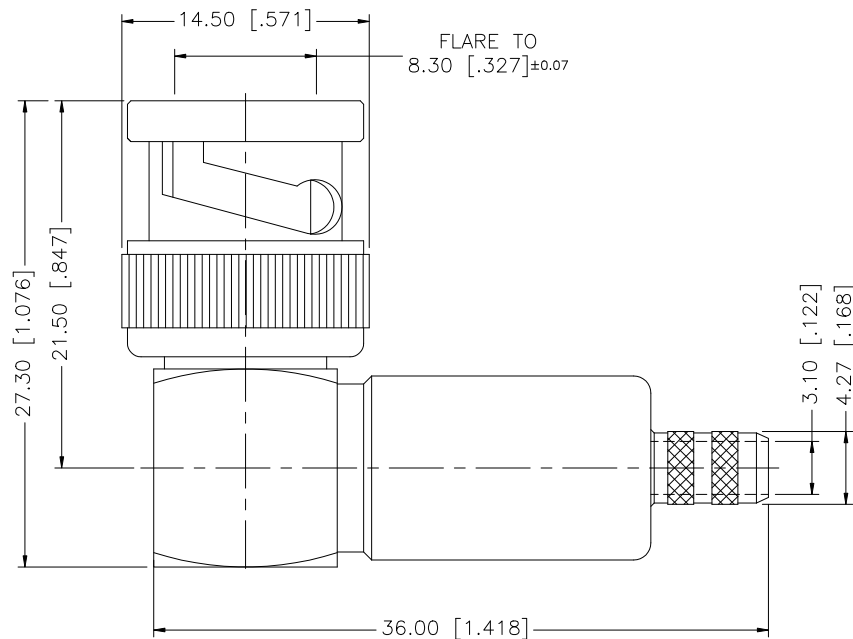


REV.	DATE	ECR NO.	DESCRIPTION
NC	02/02/09	-	INITIAL RELEASE



RECOMMENDED  
CABLE STRIPPING DIM'S

NOTE:

1. CRIMPED FERRULE HEX CRIMP SIZE .213" [5.41]
2. CRIMPED CONTACT PIN HEX CRIMP SIZE .068" [1.72]

				UNLESS OTHERWISE SPECIFIED DIMENSIONS ARE IN MILLIMETERS. DIMENSIONS IN [ ] ARE IN INCHES AND FOR CUSTOMER REFERENCE ONLY.	APPROVALS	DATE	<b>Amphenol Connex</b>		
8				UNLESS OTHERWISE SPECIFIED TOLERANCES FOR MILLIMETERS ARE: 0.5 - 8mm ± 0.20mm 8 - 30mm ± 0.40mm 30 - 120mm ± 0.50mm  UNLESS OTHERWISE SPECIFIED TOLERANCES FOR INCHES ARE: .020 - .315 = ± 0.007" .315 - 1.180 = ± 0.015" 1.180 - 4.724 = ± 0.020"	DRAWN	GRS		02/02/09	
7			CHECKED				PART DESCRIPTION <b>BNC R/A CRIMP PLUG (FOR RG-223/U, 400/U, 55/U, 142A/U)</b>		
6			ISSUED						
5			SHEET		1 OF 1				
4	FERRULE	COPPER	NICKEL		1	PART NO. <b>112725</b>			
3	CONTACT PIN	BRASS	GOLD	1	DWG. NO.	112725.DWG	REV. NC	SIZE A	SCALE NA
2	INSULATOR	PTFE	NATURAL	1	CAD FILE C:/112/112725.DWG				
1	BODY	BRASS	NICKEL	1	DO NOT SCALE DRAWING				