

PRODUCT NUMBER
20020732-XXXXXXLF

20020732- □ □ □ □ □ ○ □ L F

PITCH

U: 10.16 mm

POLES

02: 2 POLES  
03: 3 POLES  
04: 4 POLES

12: 12 POLES

LF : DENOTED RoHS COMPATIBLE

1 : STANDARD PRODUCT  
W/ BOX PACKING

SCREW CODE

CODE	SCREW TYPE	AVAILABILITY
A	-/+	ON REQUEST ONLY
B	-	STANDARD

PROPERTY TABLE			
FCI SERIES NAME		41-1016	
PITCH (mm)		10.16	
VOLTAGE RATING (VAC)		600	
CURRENT RATING (A)		65	
APPLICABLE WIRE RANGE (AWG)	1-WIRE	6~20	
	2-WIRE	10	
WIRE CROSS SECTION (mm <sup>2</sup> )	SOLID	1-WIRE	16
		2-WIRE	6
	STRANDED	1-WIRE	16
		2-WIRE	6
OPENING CONTACT HOUSING(mm <sup>2</sup> )		5.5x6.1	
WIRE STRIP LENGTH(mm)		10~11	
TORQUE +/-10% (N-M/Lb-in)		1.34/11.7	
SCREW		M4.5x0.75	
WITHSTANDING VOLTAGE (kV)		2.2	
OPERATING TEMP. (°C)		-40~+115	
SOLDERING TEMP. (°C)		250±10 (5 sec.)	
POLES AVAILABLE		02~12	
SAFETY CERTIFICATE			

HOUSING CODE

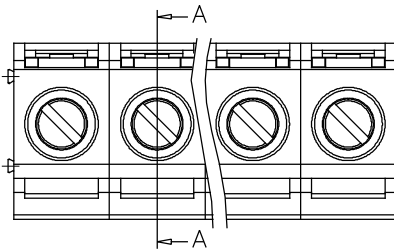
CODE	COLOR	AVAILABILITY
1	GREEN(RAL6018/T)	STANDARD
2	BLACK(RAL9005)	ON REQUEST ONLY
3	GREY(RAL7004/P)	ON REQUEST ONLY
4	BLUE(RAL5015/A)	ON REQUEST ONLY

NOTES:

- MATERIALS:  
1-1 HOUSING: THERMOPLASTIC RESIN, UL94V-0 RATED.  
1-2 SCREW: STEEL, ZINC PLATED.  
1-3 CLAMP: COPPER ALLOY, NICKEL PLATED.  
1-4 TERMINAL: COPPER ALLOY TIN PLATED.
- PRODUCT SPECIFICATION REFER TO FCI GS-12-625.
- PRODUCT PACKING SPECIFICATION REFER TO FCI GS-14-1394.
- FCI, SAFETY CERTIFICATE LOGO AND SERIES NAME TO BE SHOWN ON PRODUCT SURFACE.
- THE PRODUCTS WHERE THE PART NUMBER END IN "LF" MEET THE EUROPEAN UNION DIRECTIVE AND OTHER COUNTRY REGULATIONS AS DESCRIBED IN GS-22-008.
- RECOMENDED SOLDERING PROCESS BY WAVE SOLDER.

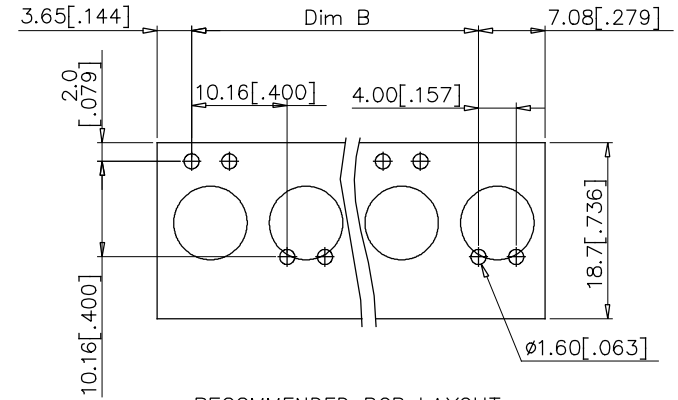
mat'l. code		surface ASME Y14.5 ✓	tolerance ASME Y14.5	projection 	product family TERMINAL BLOCK
ltr	ecn no	dr	date	tolerances unless otherwise specified	title TERMINAL BLOCK FIXED POWER PLUG, MIDDLE CONTACT
A	T10-0146	WL	091310	angles	
B	T10-0149	WL	091710		dwg no 20020732 sheet 1 of 2 size A4
C	T10-0152	WL	092010		
D	T10-0172	WL	102010	dr WENDY CHEN 090710	type CUSTOMER Drawing
E	T-005202	WL	081911	enr JASON HSU 090710	
F	T-010814	LS	050912	chr GARY HSIEH 090710	
				appd JOSEPH HSIA 090710	
sheet index	revision sheet	F 1	F 2		

PRODUCT NUMBER	SERIES NAME	PITCH
20020732-UXXXXXXLF	41-1016	10.16 mm

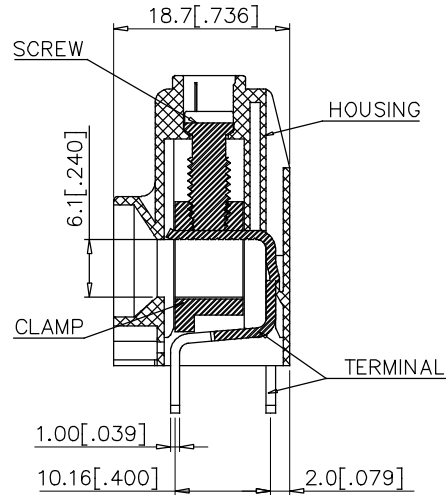
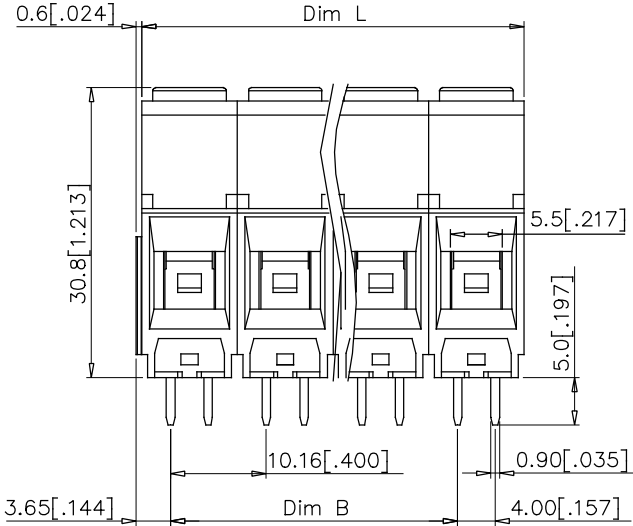


N = Number of poles  
 Dim L =  $N \times 10.16$  [.400]  
 Dim B =  $(N-1) \times 10.16$  [.400]

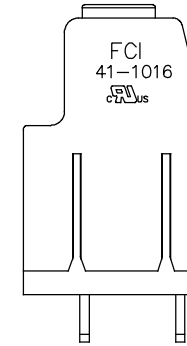
Poles	Tolerance
2-4p	$\pm 0.20$ [.008]
5-8p	$\pm 0.30$ [.012]
9-12p	$\pm 0.40$ [.016]



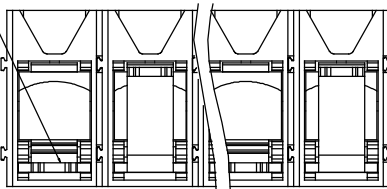
RECOMMENDED PCB LAYOUT



SEC. A-A



First pole with back contact



mat'l. code		surface ASME Y14.5	tolerance ASME Y14.5	projection MM [INCH]	product family TERMINAL BLOCK
ltr	ecn no	dr	date	tolerances unless otherwise specified	title
F				angles X ± 0.5 X.X ± 0.3 X* ± 1*	TERMINAL BLOCK FIXED POWER PLUG, MIDDLE CONTACT
				dr WENDY CHEN 090710 enr JASON HSU 090710 chr GARY HSIEH 090710 appd JOSEPH HSIA 090710	scale sheet 2 of 2 size A4
					dwg no 20020732
					type CUSTOMER Drawing
sheet index	revision sheet				